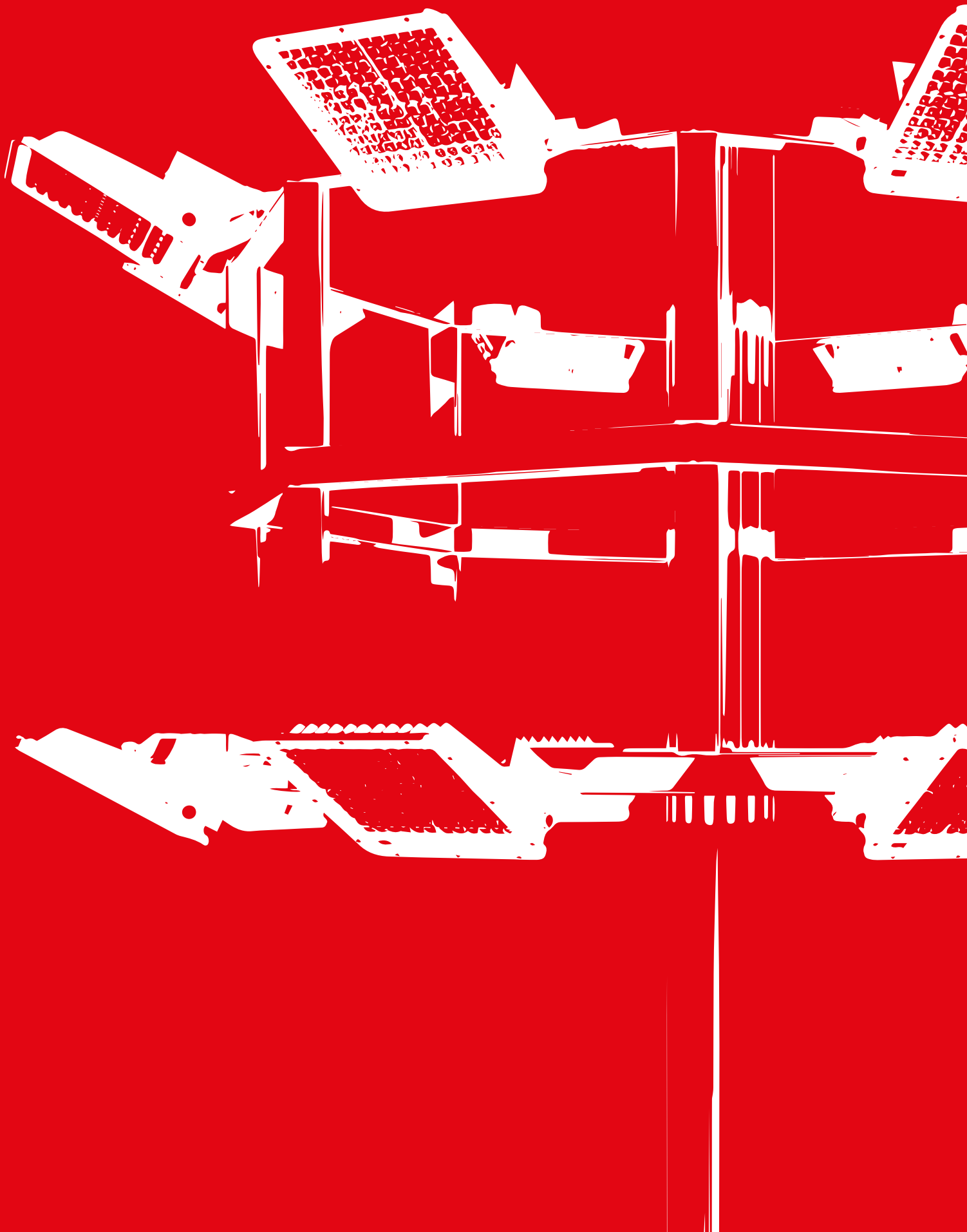




PROJECTORS

Strong casing high efficiency



Projektors

Lighting Luminaires



| | |
|-------------------------|----|
| PROLIT EFFECT | 4 |
| PROLIT EFFECT MP | 5 |
| PROLIT PLUS | 6 |
| PROLIT PLUS NG | 8 |
| PROLIT PLUS SHIP | 9 |
| PROLIT PLUS APRON | 10 |
| PROLIT PLUS LIMAN | 12 |
| PROLIT PLUS TUNEL | 13 |
| PROLIT V3 | 14 |
| PROLIT V3 MP | 16 |
| PROLIT V3 SHIP | 18 |
| PROLIT O TILT | 20 |
| PROLIT MP | 21 |
| PROLIT KOMPAKT V.3 | 22 |
| PROLIT KOMPAKT V.3 MP | 24 |
| PROLIT KOMPAKT V.3 NG | 25 |
| PROLIT KOMPAKT V.3 SHIP | 26 |
| PROLIT M PR-V2 | 28 |
| GPRONA PLUS | 29 |
| GPRONA | 30 |
| GPRONA mini | 32 |
| GPRONA NG | 33 |
| SPRONA PLUS | 35 |
| SPRONA | 36 |
| SPRONA CRN | 37 |
| SROUND CRANE | 38 |
| PRK V3 PRTB | |

PROLIT EFFECT



PROJECTOR



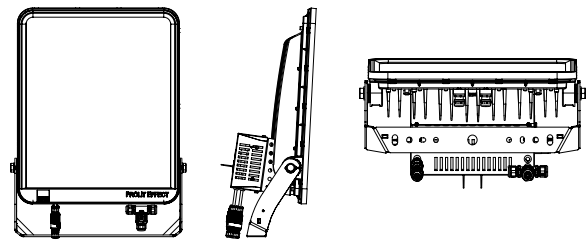
With different Housing angle options, Prolit effect is perfect for illuminating areas such as building perimeter-security and facade. Optimized Housingsi is the ideal solution for every project with its ease of assembly and high mechanical strength. Prolit effect; It can be offered with DALI and DIMKO control Option.



Technical Specifications

| | |
|---------------|---|
| Housing | : Aluminium injection housing |
| Optical | : 13°/22°/ 57°/ AS / OT |
| Diffuser | : Tempered sanded glass + PMMA HT / PC |
| Light Source | : Power LED |
| Power | : 420 W / 505 W |
| Lumen | : 60000 lm / 65500 lm / 70300 lm / 76200 lm |
| Input Voltage | : 220-240V AC |
| Color Temp. | : 4000K / 5000K |
| CRI | : > 70 |
| IP | : IP66 |
| Colors | : MW 3004 (Black) |

Technical Drawing



Dimensions (mm)

| a | b | h |
|-----|-----|-----|
| 470 | 294 | 663 |

Weight (kg)

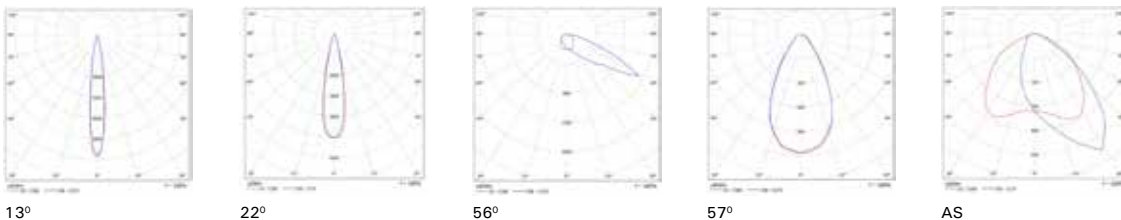
18.8 kg / 20,5 kg

Option

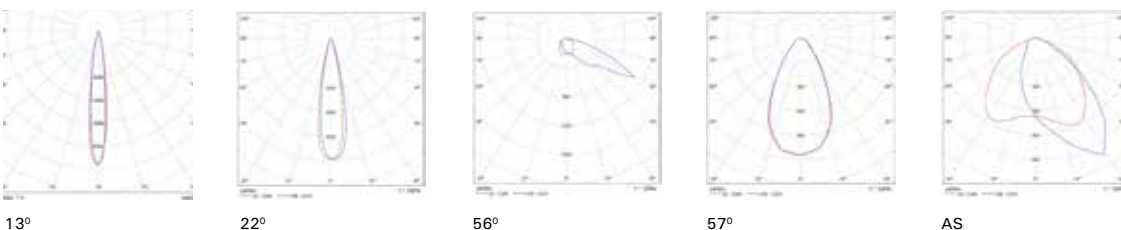
| | |
|---------------------|-------|
| DALI Compatibility | : Yes |
| DIMKO Compatibility | : Yes |

Photometric Curve

420 W



505 W



PROLIT EFFECT

MP

PROJECTOR



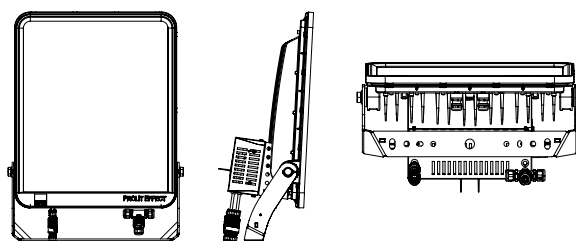
With different Housing angle options, Prolit effect is perfect for illuminating areas such as building perimeter-security and facade. Optimized Housings is the ideal solution for every project with its ease of assembly and high mechanical strength. Prolit effect; It can be offered with DALI and DIMKO control Option.



Technical Specifications

| | |
|---------------|---|
| Housing | : Aluminium injection housing |
| Optical | : 23° / 46° / 60° / AS |
| Diffuser | : Tempered sanded glass + PMMA HT / PC |
| Light Source | : Mid Power LED |
| Power | : 436 W / 536 W |
| Lumen | : 60000 lm / 65500 lm / 70300 lm / 76200 lm |
| Input Voltage | : 220-240V AC |
| Color Temp. | : 5700K |
| CRI | : > 80 |
| IP | : IP66 |
| Colors | : MW 3004 (Black) |

Technical Drawing



Dimensions (mm)

| a | b | h |
|-----|-----|-----|
| 470 | 294 | 663 |

Weight (kg)

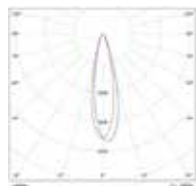
18.8 kg / 20,5 kg

Option

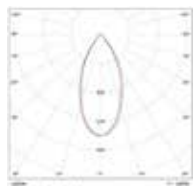
| | |
|---------------------|-------|
| DALI Compatibility | : Yes |
| DIMKO Compatibility | : Yes |

Photometric Curve

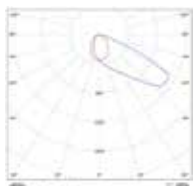
436 W



23°

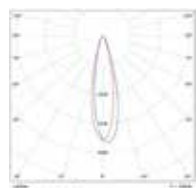


46°

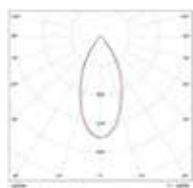


AS

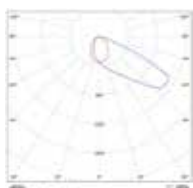
536 W



23°



60°



AS



PROLIT PLUS

PROJECTOR



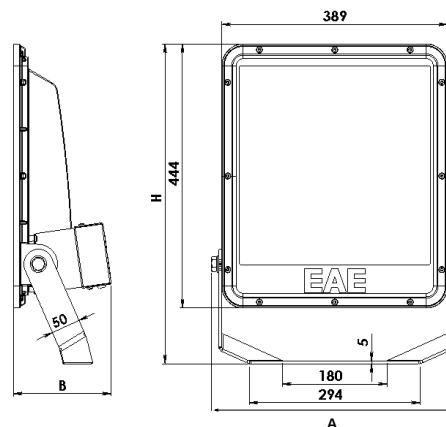
Prolit Plus, the newest member of the Prolit PROJECTOR family, is designed for outdoor sports facilities, airport aprons, to perfectly meet the lighting requirements of port loading areas, tunnels and large areas was designed. With its Minimal Housing and optimized Technical Specifications, it is ideal for use in all professional outdoor work areas where high lighting quality and visual comfort are required in addition to high performance.



Technical Specifications

| | |
|---------------|--|
| Housing | : Aluminium injection housing |
| Optical | : 16° / 27° / 32° / 52° / 57° / 98° / Asymmetric Lens |
| Diffuser | : Tempered glass with serigraphy |
| Light Source | : Power LED |
| Power | : 200 W / 270 W / 308 W / 310 W / 341 W / 400 W |
| Lumen | : (16°) 35560 lm / 40987 lm (22°) 45711 lm / 49980 lm (27°) 33982lm / 39554 lm (32°) 43425 lm / 48546 lm (52°) 26310 lm / 34849 lm / 39936 lm (57°) 44863 lm / 48151 lm (98°) 33433 lm / 38904 lm / 45531 lm / 47002 lm (As°) 33303 lm / 39270 lm / 44560 lm / 47063 lm |
| Input Voltage | : 220-240 Vac 50-60 Hz |
| Color Temp. | : 3000K / 4000K / 5700K / 6500K / RED |
| CRI | : > 70 |
| IP | : IP66 |
| Colors | : ALZ90F + MW 3004 (Black) |

Technical Drawing



Dimensions (mm)

| a | b | h |
|-----|-----|-----|
| 424 | 171 | 537 |

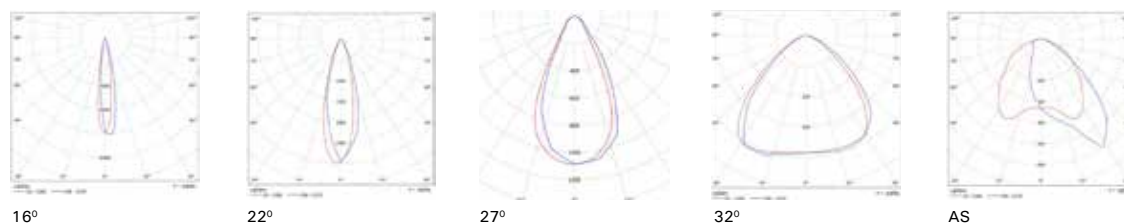
Weight (kg)

| |
|---------------------|
| 11,5 / 12 / 13,5 kg |
|---------------------|

Option

| | |
|---------------------|-------|
| DALI Compatibility | : Yes |
| DIMKO Compatibility | : Yes |

Photometric Curve



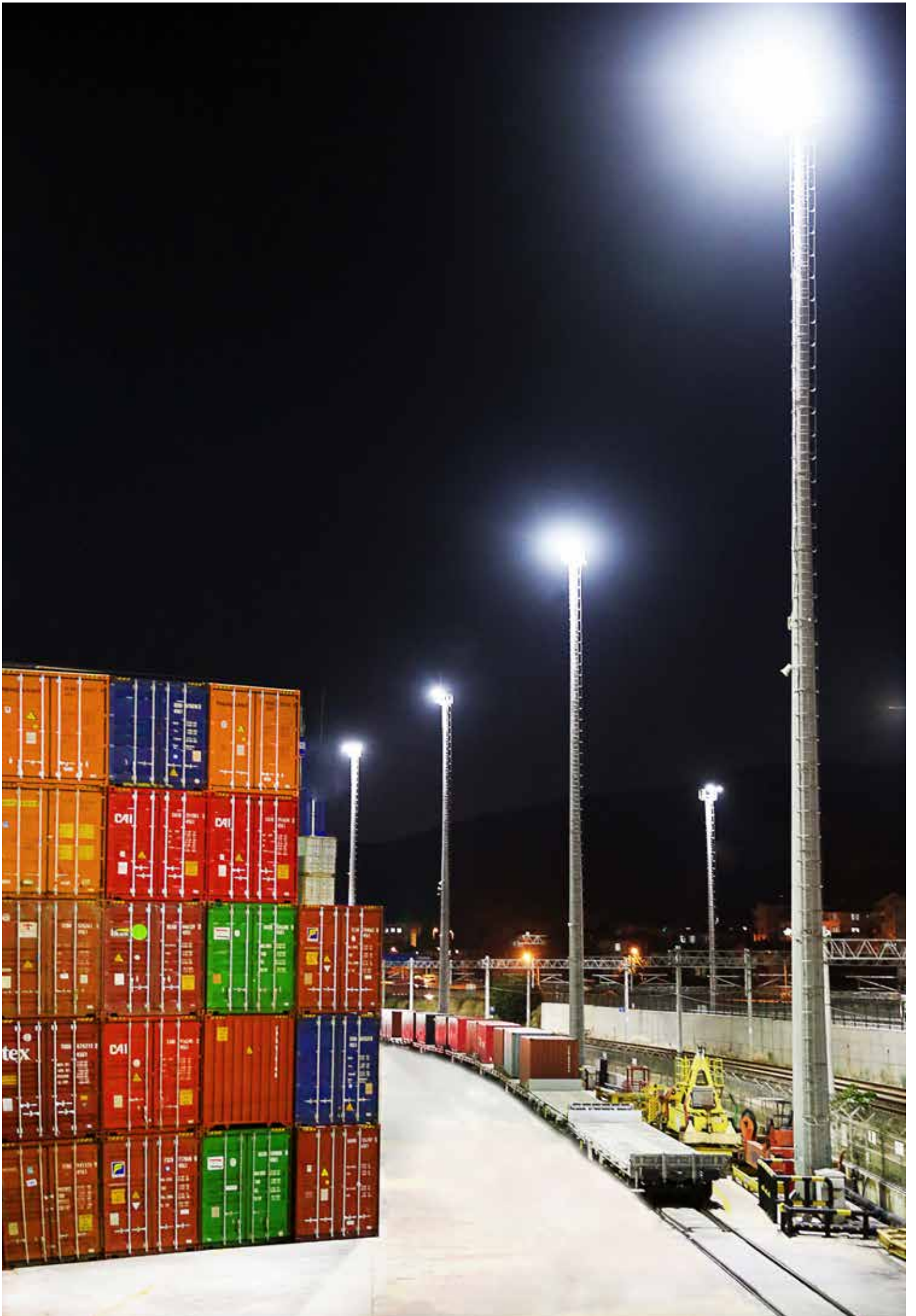
16°

22°

27°

32°

AS



PROLIT PLUS NG

PROJECTOR

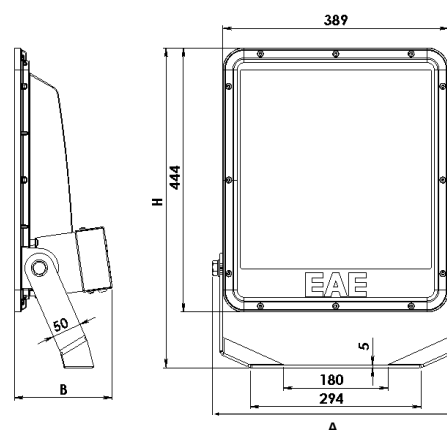


Being among the new members of the Prolit PROJECTOR family, Prolit Plus Ng perfectly meets the lighting needs of large project areas with its high performance. With its durable housing; It defies factors such as impact, dirt, dust and moisture. Its highly efficient Power LED is cost-effective. Prolit Plus Ng; It is suitable for use in outdoor environments such as outdoor sports facilities, airport aprons, port loading areas and tunnels.



| | |
|---------------|---|
| Housing | : Aluminium injection housing |
| Optical | : 10°/16°/ 27°/ 52°/ 98°/ Asymmetric |
| Diffuser | : Tempered sanded glass |
| Light Source | : Power LED |
| Power | : 195 W / 261 W / 308 W / 357 W / 400 W |
| Lumen | : (10°) 26206lm / 35306lm / 41006lm / 45906lm / 50206lm (16°) 26585lm / 35987lm / 41787lm / 46614lm / 50832lm (27°) 25752lm / 34752lm / 39652lm / 44852lm (52°) 25936lm / 34936lm / 39936lm / 45366lm / 49366lm (98°) 25303lm / 34103lm / 38903lm / 44103lm (AS) 25500lm / 34400lm / 39400lm / 44500lm / 49000lm |
| Input Voltage | : 220-240 Vac 50-60 Hz |
| Color Temp. | : 4000K / 5000K |
| CRI | : > 70 |
| IP | : IP66 |
| Colors | : ALZ90F + MW 3004 (Black) |

Technical Drawing



Option

Electronic Control : Dali / 1-10 V DIMKO

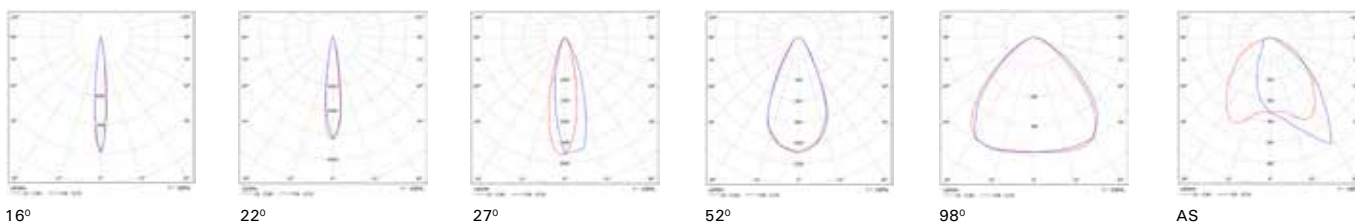
Dimensions (mm)

| a | b | h |
|-----|-----|-----|
| 424 | 171 | 537 |

Weight (kg)

14,8 Kg

Photometric Curve



PROLIT PLUS SHIP

PROJECTOR



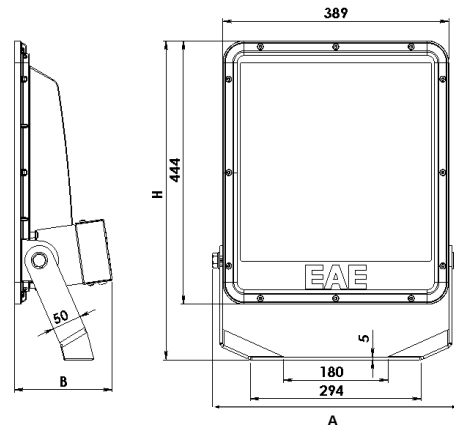
Offering high lighting capacity with 202 W, 270 W, 308 W, 310 W, 341 W, 427 W Power PROLIT PLUS SHIP is specially designed for dirt, dust and humid environments. It has: Aluminum injection Housing and tempered screen-printed glass, together with the use of power LEDs, it offers high efficiency. PROLIT PLUS SHIP stands out as an indispensable solution for areas such as ships, ports & shipyards.



Technical Specifications

| | |
|---------------|--|
| Housing | : Aluminium injection housing |
| Optical | : 16°/ 27°/ 32°/ 52°/ 57°/ 98°/ 99°/ Asymmetric Lens |
| Diffuser | : Tempered glass with serigraphy |
| Light Source | : Power LED |
| Power | : 200 W / 270 W / 308 W / 310 W / 341 W / 400 W |
| Lumen | : (16°) 35560 lm / 40987 lm (22°) 45711 lm / 49980 lm (27°) 33982lm / 39554 lm (32°) 43425 lm / 48546 lm (52°) 26310 lm / 34849 lm / 39936 lm (57°) 44863 lm / 48151 lm (98°) 33433 lm / 38904 lm / 45531 lm / 47002 lm (As°) 33303 lm / 39270 lm / 44560 lm / 47063 lm |
| Input Voltage | : 220-240 Vac 50-60 Hz |
| Color Temp. | : 3000K / 4000K / 5700K / 6500K / RED |
| CRI | : > 70 |
| IP | : IP66 |
| Colors | : ALZ90F + MW 3004 (Black) |

Technical Drawing



Option

| | |
|---------------------|-------|
| DALI Compatibility | : Yes |
| DIMKO Compatibility | : Yes |

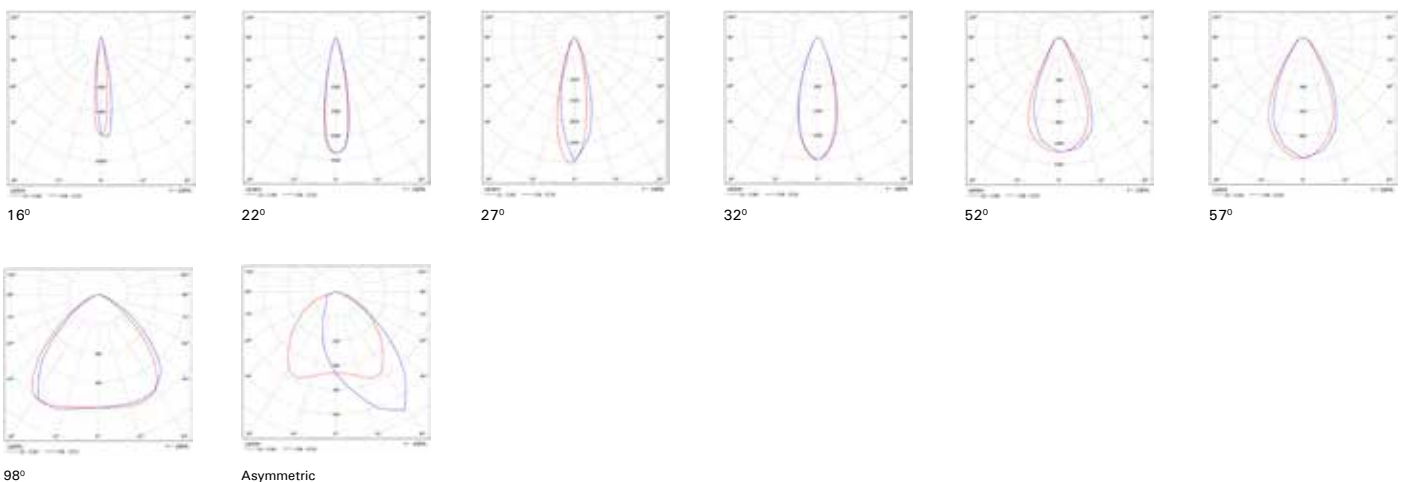
Dimensions (mm)

| a | b | h |
|-----|-----|-----|
| 424 | 171 | 537 |

Weight (kg)

11,5 / 12 / 13,5 kg

Photometric Curve



PROLIT PLUS

APRON

PROJECTOR



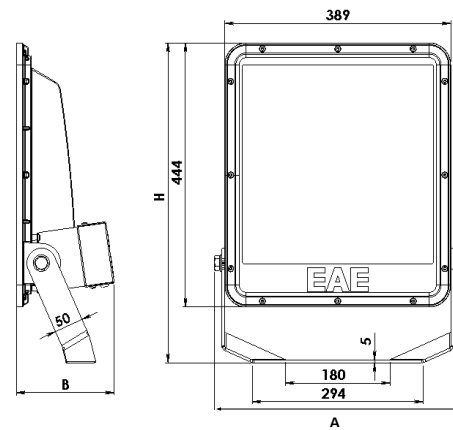
Prolit Plus Apron, high IP protection Housing with superior thermal performance, special coated With its reinforced mounting feet, it performs perfectly in harsh outdoor conditions.

The glare-free reflector Housing structure, specially developed for apron applications, is designed to provide perfect homogeneity without tilting the luminaire. It is an efficient, safe and sustainable lighting solution for aprons with its maintenance-free long life and light distribution that does not create lighting pollution.



- Housing : Aluminium injection housing
- Optical : Asymmetric /16°/ 27°/ 52°/ 98°
- Diffuser : Tempered sanded glass
- Light Source : Power LED
- Power : 293 W
- Lumen : 43485,5 lm
- Input Voltage : 220-240 Vac 50-60 Hz
- Color Temp. : 3000K / 5700K / 6500K
- CRI : > 70
- IP : IP66
- Colors : ALZ90F + MW 3004 (Black)

Technical Drawing



Option

- DALI Compatibility : Yes
- DIMKO Compatibility : Yes

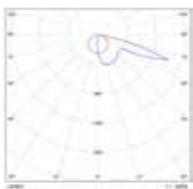
Dimensions (mm)

| a | b | h |
|-----|-----|-----|
| 424 | 182 | 537 |

Weight (kg)

12,5 kg

Photometric Curve





PROLIT PLUS LİMAN

PROJECTOR



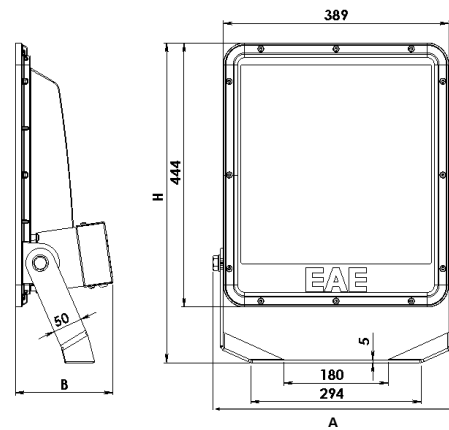
Prolit Plus Port, with its specially developed Housing infrastructure for port applications, It is ideal for lighting wide angle areas with its high IP protected Housingsi with superior thermal performance, which is resistant to environmental conditions, and reinforced mounting feet with a special coating. The special Housing structure is designed to provide perfect homogeneity without inclining the luminaire. It helps to ensure occupational safety in outdoor working environments with its maintenance-free long life and Housing feature that provides excellent homogeneity.



Technical Specifications

| | |
|---------------|----------------------------------|
| Housing | : Aluminum injection Housing |
| Optical | : Asymmetric lens |
| Diffuser | : Tempered glass with serigraphy |
| Light Source | : Power LED |
| Power | : 208 W / 371 W |
| Lumen | : 25663 lm / 44159 lm |
| Input Voltage | : 220-240 Vac 50-60 Hz |
| Color Temp. | : 3000K / 4000K / 5700K / 6500K |
| CRI | : > 70 |
| IP | : IP66 |
| Colors | : ALZ90F + MW 3004 (Black) |

Technical Drawing



Option

| | |
|---------------------|-------|
| DALI Compatibility | : Yes |
| DIMKO Compatibility | : Yes |

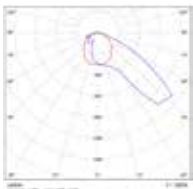
Dimensions (mm)

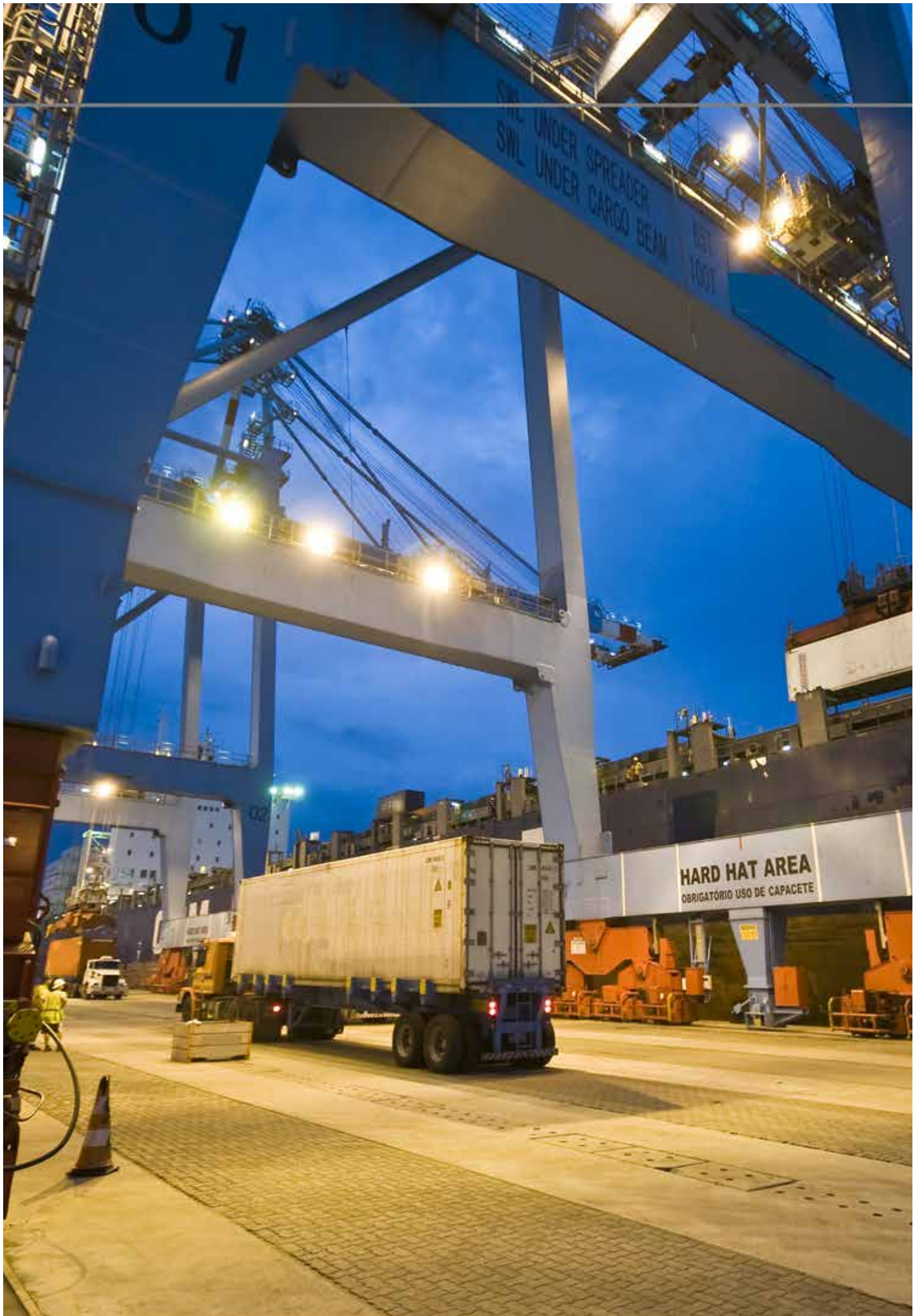
| a | b | h |
|-----|-----|-----|
| 424 | 171 | 537 |

Weight (kg)

12,5 kg

Photometric Curve





PROLIT PLUS TÜNEL

PROJECTOR



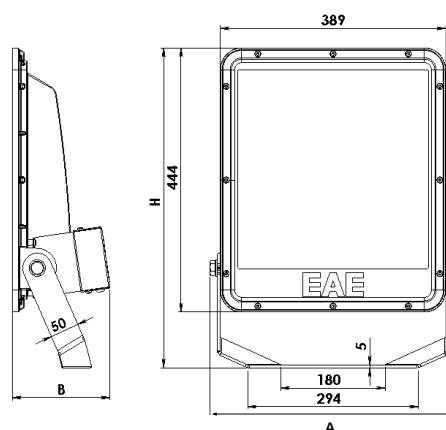
Designed to meet the different Housing needs of tunnel applications, Prolit Plus Tunnel It is ideal for all tunnel applications where excellent visual comfort is expected in addition to high performance with its high IP protected Housingsi with superior thermal performance, which is resistant to outdoor conditions, and its specially coated reinforced mounting feet. With its maintenance-free long life, the Housing Option, which differs according to the mounting method, and the Housing variety shaped according to the tunnel width and regions, guarantees excellent lighting performance.



Technical Specifications

| | |
|---------------|----------------------------------|
| Housing | : Aluminum injection Housing |
| Optical | : 4mm Tempered glass + Lens |
| Diffuser | : Tempered glass with serigraphy |
| Light Source | : Power LED |
| Power | : 270 W |
| Lumen | |
| TN1 | : 32710 lm |
| TN2 | : 36095 lm |
| Input Voltage | : 220-240 Vac 50-60 Hz |
| Color Temp. | : 3000K / 4000K / 5700K / 6500K |
| CRI | : > 70 |
| IP | : IP66 |
| Colors | : ALZ90F + MW 3004 (Black) |

Technical Drawing



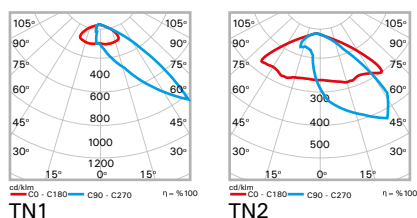
Option

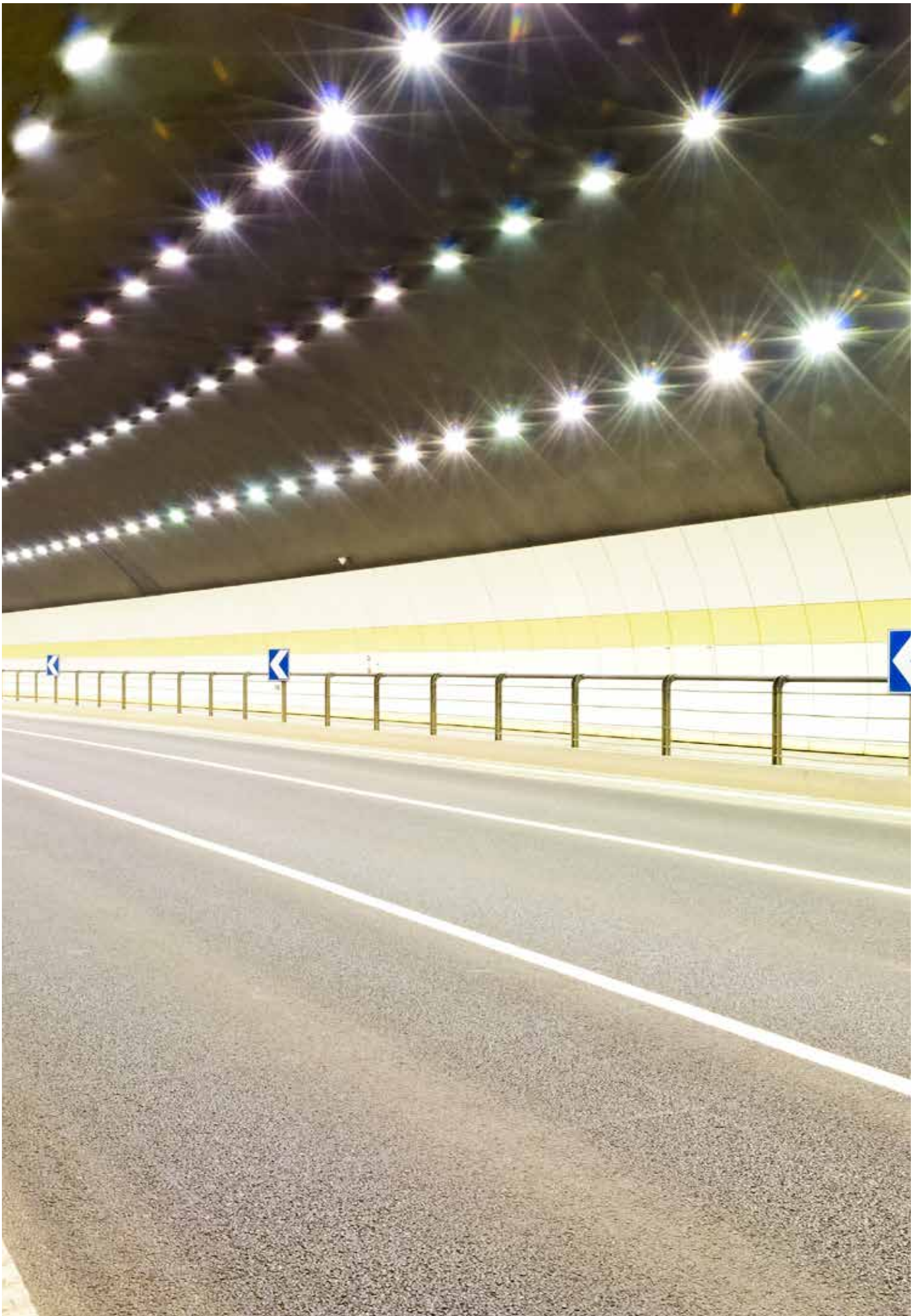
| | |
|---------------------|-------|
| DALI Compatibility | : Yes |
| DIMKO Compatibility | : Yes |

Dimensions (mm)

| a | b | h |
|-----|-----|-----|
| 424 | 168 | 537 |

Photometric Curve





PROLIT V.3



PROJECTOR



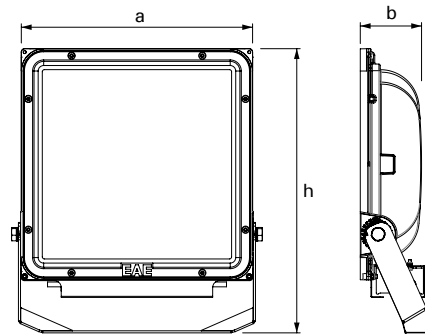
Prolit V.3, updated new Housing, streamlined new electronics infrastructure, extensive Lumen package and app. It is designed for use in all outdoor lighting with Housing options that provide flexibility, reaching 146lm/W. With its efficiency, it provides high energy savings, for the replacement of conventional and less efficient lighting systems. is ideal.



Technical Specifications

| | |
|---------------|---|
| Housing | : Aluminum injection Housing |
| Optical | : 13° / 22° / 32° / 57° lens / AS / OT |
| Diffuser | : Tempered glass with serigraphy |
| Light Source | : Power LED |
| Power | : 102 W / 150 W / 176 W / 206 W / 230 W |
| Lumen | |
| (22°) | : 14879 lm / 19753 lm / 22585 lm / 25760 lm |
| (32°) | : 14408 lm / 19298 lm / 21810 lm / 25166 lm |
| (57°) | : 14616 lm / 19429 lm / 22090 lm / 25241 lm |
| (Asymmetric) | : 14347 lm / 19761 lm / 21842 lm / 25471 lm |
| Input Voltage | : 220-240V AC |
| Color Temp. | : 3000K / 4000K / 5000K / 5700K |
| CRI | : > 70 |
| IP | : IP66 |
| Colors | : ALZ90F + MW 3004 (Black) |

Technical Drawing



Dimensions (mm)

| a | b | h |
|-----|----|-------|
| 336 | 89 | 412,8 |

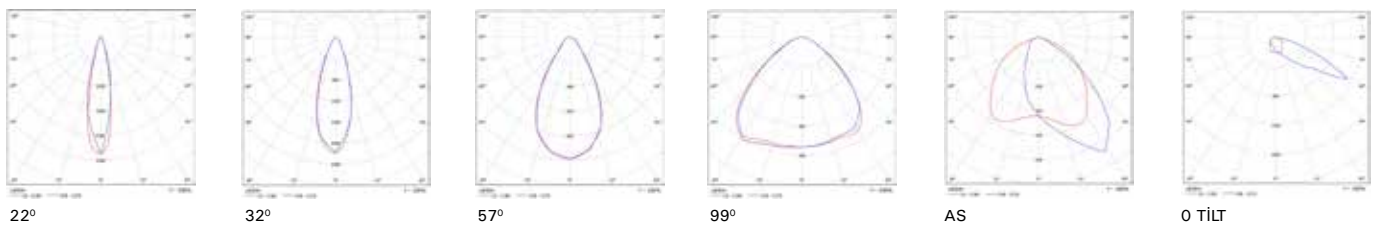
Weight (kg)

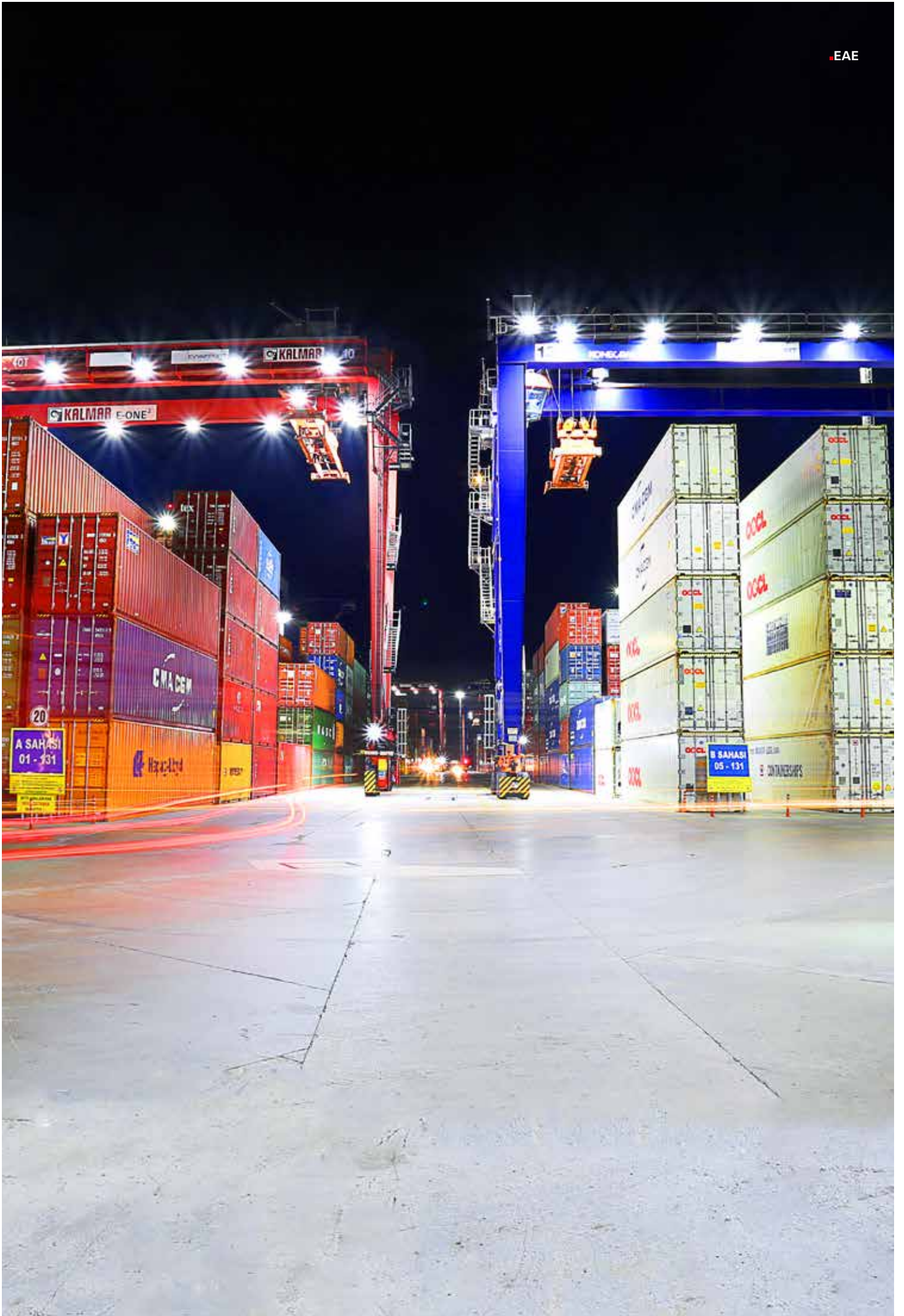
6,5 kg

Option

| | |
|---------------------|-------|
| DALI Compatibility | : Yes |
| DIMKO Compatibility | : Yes |

Photometric Curve





PROLIT V.3

MP

PROJECTOR



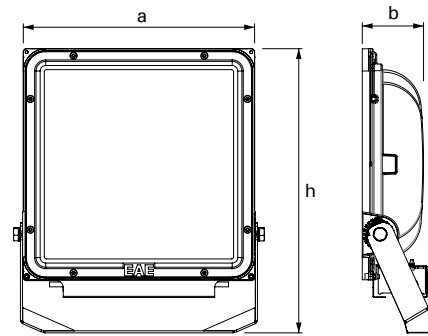
With its durable housing that guarantees long-lasting use, Prolit V.3 Mp is designed for harsh outdoor conditions. The product, which offers ease of assembly, offers an ideal solution in project areas with its light structure. It provides optimum performance in project areas with its high Lumen output and Housing options. With its advanced Housing design and economical structure, Prolit V.3 Mp; It offers advanced LED Light Source in outdoor sports facilities, airport aprons, port loading docks and tunnels.



Technical Specifications

| | |
|---------------|---|
| Housing | : Aluminum injection Housing |
| Optical | : 23° / 30° / 46° / 60° / 90° / Asymmetric reflector |
| Diffuser | : Tempered glass with serigraphy |
| Light Source | : Mid Power LED |
| Power | : 94 W / 134 W / 158 W / 189 W / 230 W |
| Lumen | |
| | (23°) : 12852 lm / 17052 lm / 20252 lm / 23252 lm / 26752 lm |
| | (30°) : 12793 lm / 16793 lm / 19693 lm / 22693 lm / 26193 lm |
| | (46°) : 13357 lm / 17757 lm / 21017 lm / 22940 lm / 27657 lm |
| | (60°) : 12898 lm / 17298 lm / 20398 lm / 23411 lm / 26962 lm |
| | (90°) : 12498 lm / 17298 lm / 20335 lm / 23435 lm / 27035 lm |
| | (Asymmetric) : 12740 lm / 17052 lm / 20040 lm / 22940 lm / 26440 lm |
| Input Voltage | : 220-240V AC |
| Color Temp. | : 3000K / 4000K 5000K / 5700K / 6500K |
| CRI | : > 80 |
| IP | : IP66 |
| Colors | : ALZ90F + MW 3004 (Black) |

Technical Drawing



Dimensions (mm)

| a | b | h |
|-----|-----|-----|
| 364 | 284 | 413 |

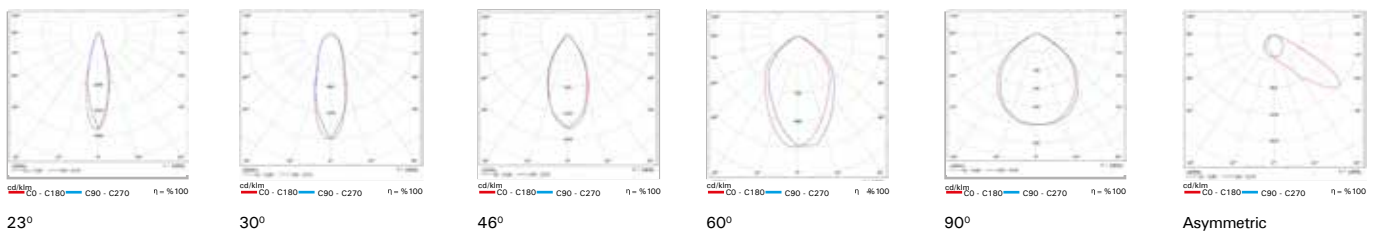
Weight (kg)

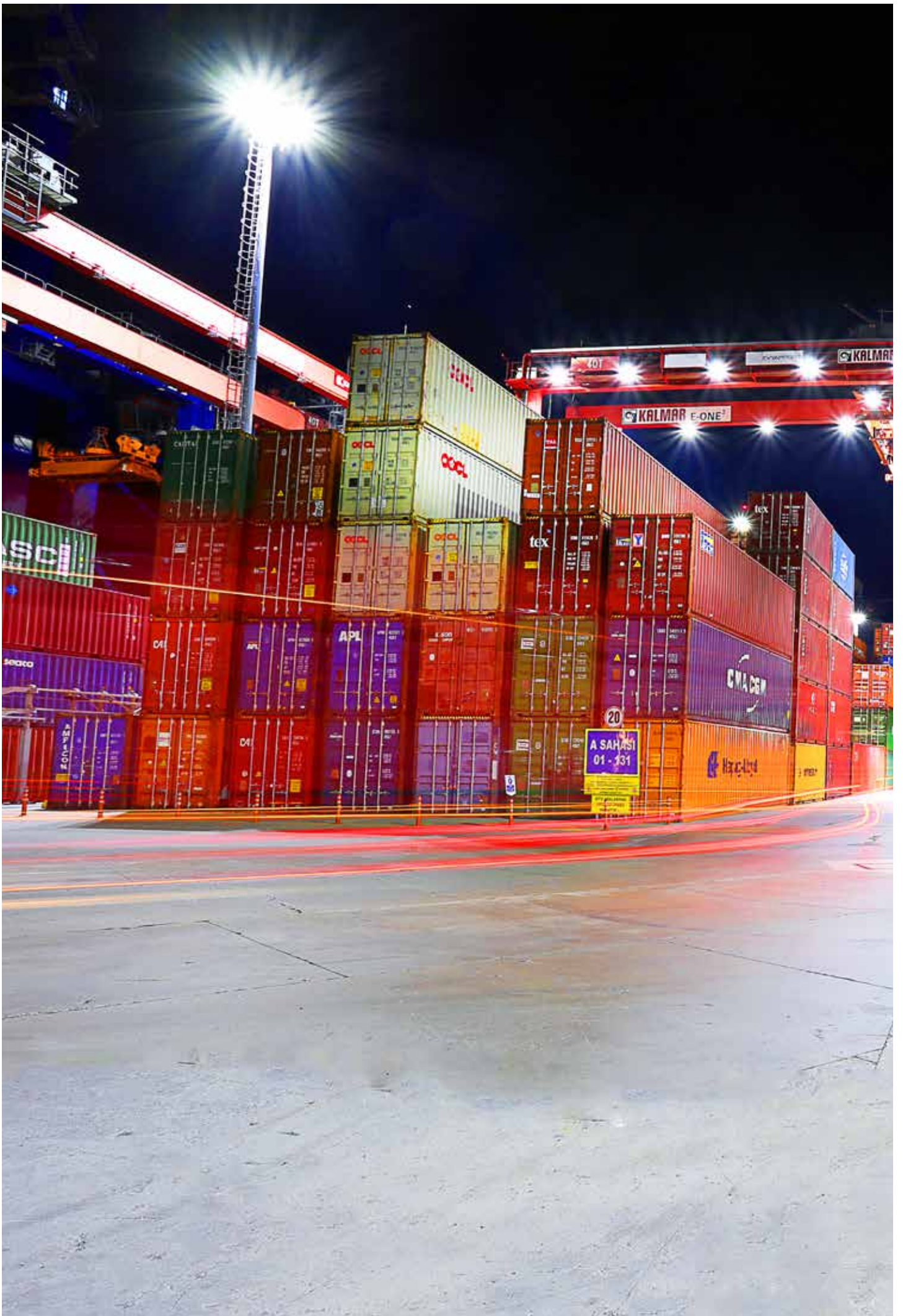
6,5 kg

Option

| | |
|---------------------|-------|
| DALI Compatibility | : Yes |
| DIMKO Compatibility | : Yes |

Photometric Curve





PROLIT V.3 SHIP

PROJECTOR



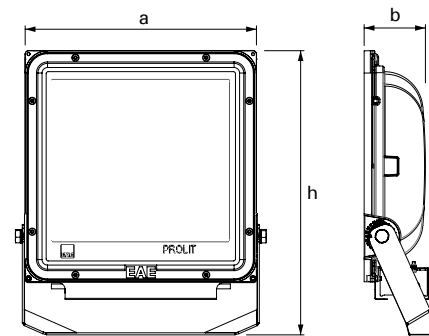
In addition to its aesthetic design, PROLIT V.3 SHIP 22°, which offers many years of use with its high quality and robust Housing. It provides advantages for different conditions with its 32°, 57°, 99° asymmetric reflector lens types. 6 different Color Temp. option PROLIT V.3 SHIP is offered with a wide range of Lumen options. Optional Dali and dimko automations offer the privilege of commanding the product with a single control wing. Offered with the advantage of easy installation PROLIT V.3 SHIP stands out as an indispensable solution for areas such as ships, ports & shipyards.



Technical Specifications

| | |
|---------------|---|
| Housing | : Aluminum injection Housing |
| Optical | : 22°/ 32°/ 57°/ 99°/ Asymmetric reflector |
| Diffuser | : Serigrafli Tempered glass |
| Light Source | : Power LED |
| Power | : 102 W / 150 W / 176 W / 206 W |
| Lumen | |
| (22°) | : 14879 lm / 19753 lm / 22585 lm / 25760 lm |
| (32°) | : 14108 lm / 19297 lm / 21810 lm / 25166 lm |
| (57°) | : 14616 lm / 19429 lm / 22090 lm / 25241 lm |
| (99°) | : 13716 lm / 18760 lm / 21702 lm / 24468 lm |
| (Asymmetric) | : 14347 lm / 19761 lm / 21842 lm / 25472 lm |
| Input Voltage | : 220-240V AC |
| Color Temp. | : 2700K / 3000K / 4000K / 5000K / 5700K / 6500K |
| CRI | : > 70 |
| IP | : IP67 |
| Colors | : ALZ90F + MW 3004 (Black) |

Technical Drawing



Dimensions (mm)

| a | b | h |
|-----|-----|-----|
| 364 | 106 | 413 |

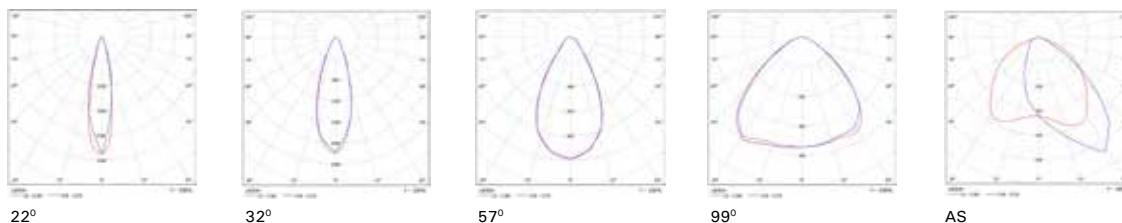
Weight (kg)

11,5 kg / 12 kg / 13,5 kg

Option

| | |
|---------------------|-------|
| DALI Compatibility | : Yes |
| DIMKO Compatibility | : Yes |

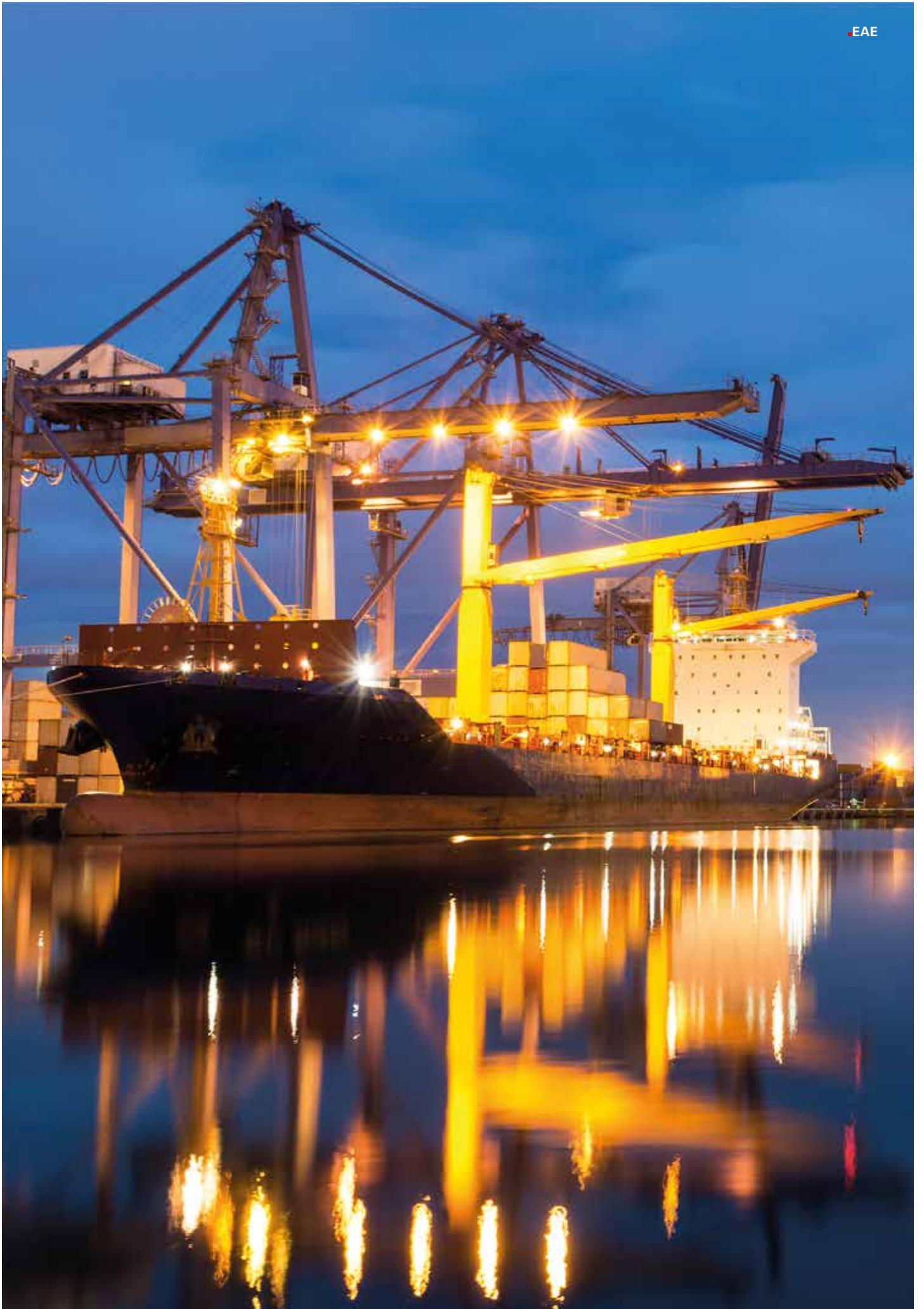
Photometric Curve



Assembly Detail

All fittings are 316 inox A4 quality and grommet 321 B+ coated.
 All sheet metal parts are painted 316 stainless + alz90 primer + SV306G
 Housing and the frame is cataphoresis coating + alz90 primer + SV306G painted.
 Gland 316 quality inox
 Ventil 316 kalite inox





PROLIT 0 TILT

PROJECTOR



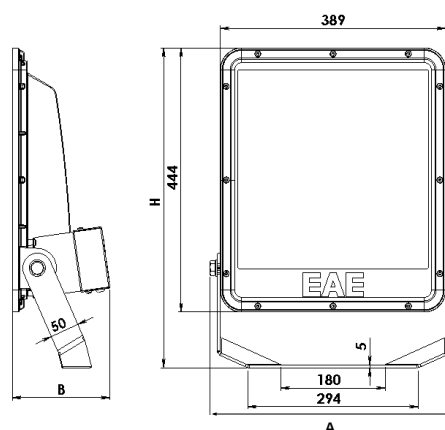
Prolit Plus 0 Tilt, the newest member of the Prolit PROJECTOR family, is suitable for outdoor sports facilities, aprons. It was designed to perfectly meet the lighting requirements of port loading areas, tunnels and large areas. With its Minimal Housing and optimized Technical Specifications, it is ideal for use in all professional outdoor work areas where high lighting quality and visual comfort are required in addition to high performance.



Technical Specifications

| | |
|---------------|----------------------------------|
| Housing | : Aluminium injection Housing |
| Optical | : 0 TILT |
| Diffuser | : Tempered glass with serigraphy |
| Light Source | : Power LED |
| Power | : 208 W / 375 W |
| Lumen | : 25600 lm / 41900 lm |
| Input Voltage | : 220-240 Vac 50-60 Hz |
| Color Temp. | : 3000K / 4000K / 5700K / 6500K |
| CRI | : > 70 |
| IP | : IP66 |
| Colors | : ALZ90F + MW 3004 (Black) |

Technical Drawing



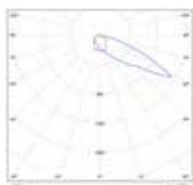
Option

| | |
|---------------------|-------|
| DALI Compatibility | : Yes |
| DIMKO Compatibility | : Yes |

Dimensions (mm)

| a | b | h |
|-----|-----|-----|
| 424 | 168 | 537 |

Photometric Curve



0 TILT



PROLIT MP

PROJECTOR



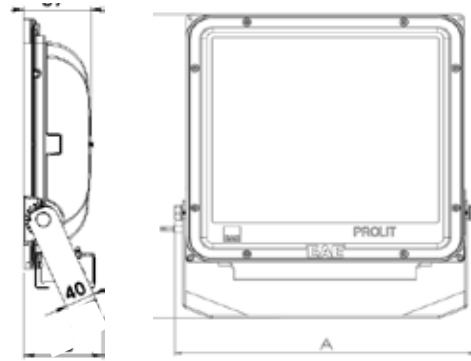
Prolit MP is very suitable for tough project conditions with its optimized durable Housing. Different Lumen and Color Temp. The product, which has an option, guarantees long-lasting use with its glare-controlling structure and energy-saving LED. Prolit MP meets the lighting needs of facades and areas at the maximum level, thanks to the working ambient temperature reaching from -20°C to +50°C.



Technical Specifications

| | |
|---------------|--|
| Housing | : Aluminum injection Housing |
| Optical | : 23°/ 30°/ 46°/ 60°/ 90°/ AS lens |
| Diffuser | : Tempered glass with serigraphy |
| Light Source | : Mid Power LED |
| Power | : 94 W / 134 W / 158W / 189W / 230W / |
| Lumen | : 12852 lm / 17052 lm / 20252 lm / 23252 lm / 26752 lm |
| Input Voltage | : 220-240 Vac 50-60 Hz |
| Color Temp. | : 3000K / 4000K /5000K / 5700K |
| CRI | : > 80 |
| IP | : IP66 |
| Colors | : ALZ90F + MW 3004 (Black) |

Technical Drawing



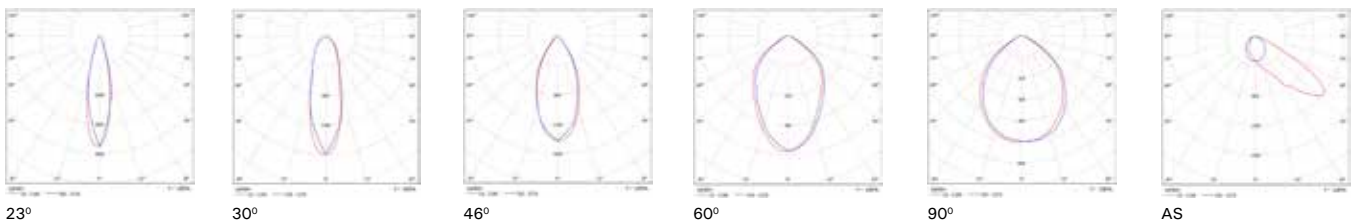
Option

| | |
|---------------------|-------|
| DALI Compatibility | : Yes |
| DIMKO Compatibility | : Yes |

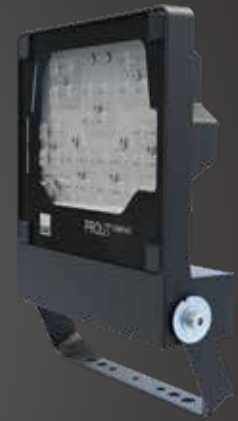
Dimensions (mm)

| a | b | h |
|-----|-----|----|
| 336 | 361 | 89 |

Photometric Curve



PROLIT KOMPAKT V.3



PROJECTOR

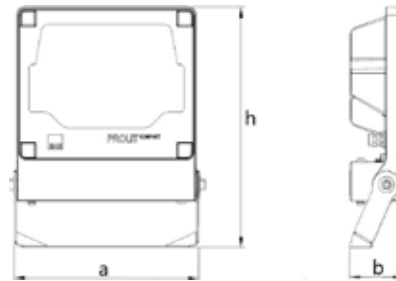
Prolit Compact, which is an efficient alternative to conventional PROJECTORS, is open space, structure with different Housing angle options. It is perfect for illuminating areas such as perimeter-security and facades. Capturing the best light output in minimal dimensions Optimized light and compact Housingsi, ease of assembly and high mechanical strength Prolit Compact; It makes the basic and ideal solution of every project. DALI, 1-10V, DIMKO control Option is available.



Technical Specifications

| | |
|---------------|---|
| Housing | : Aluminum injection Housing |
| Optical | : 16° / 27° / 35° / 52° / 60° / 90° / 98° / Asymmetric |
| Diffuser | : Tempered glass with serigraphy |
| Light Source | : Power LED |
| Power | : 75 W (27°) / 75 W (52°) / 75 W (98°) / 75 W (AS) / 95 W (16°) |
| Power Led | : 95 W (27°) / 95 W (52°) / 95 W (98°) / 95 W (AS) |
| Lumen | : 7647 lm / 7474 lm / 7550 lm / 7371 lm / 11206 lm |
| Power Led | : 10788 lm / 10881 lm / 10534 lm / 10231 lm |
| Input Voltage | : 220-240V AC 50/60Hz |
| Color Temp. | : 3000K / 4000K / 5000K / 5700K |
| CRI | : >80 / >70 |
| IP | : IP66 |
| Colors | : ALZ90F + MW 3004 (Black) |

Technical Drawing



Dimensions (mm)

| a | b | h |
|-----|----|-----|
| 276 | 77 | 330 |

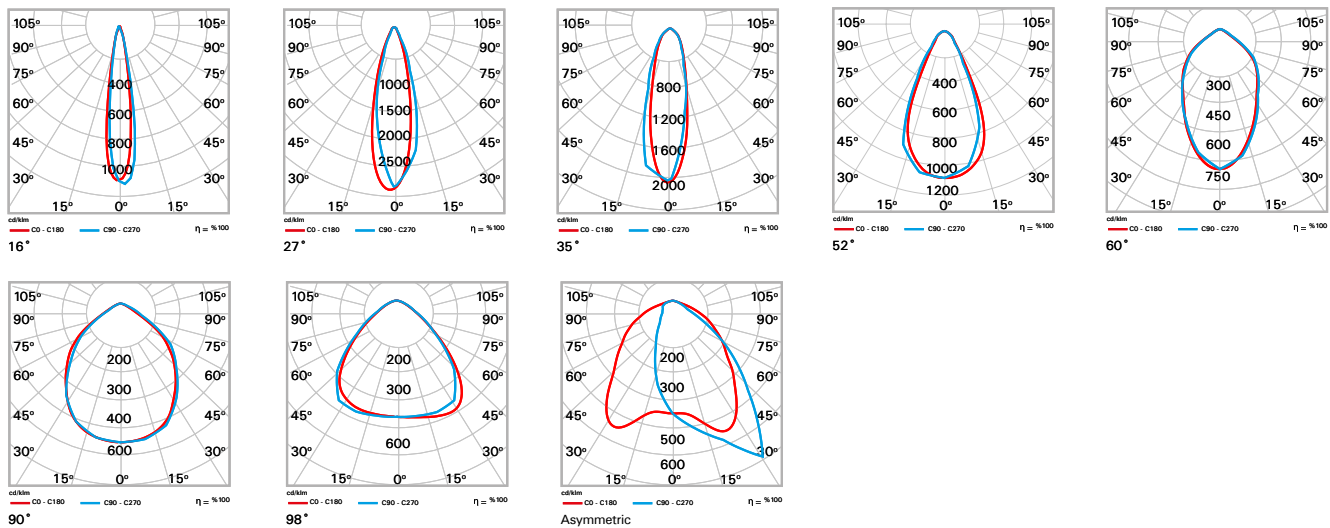
Weight (kg)

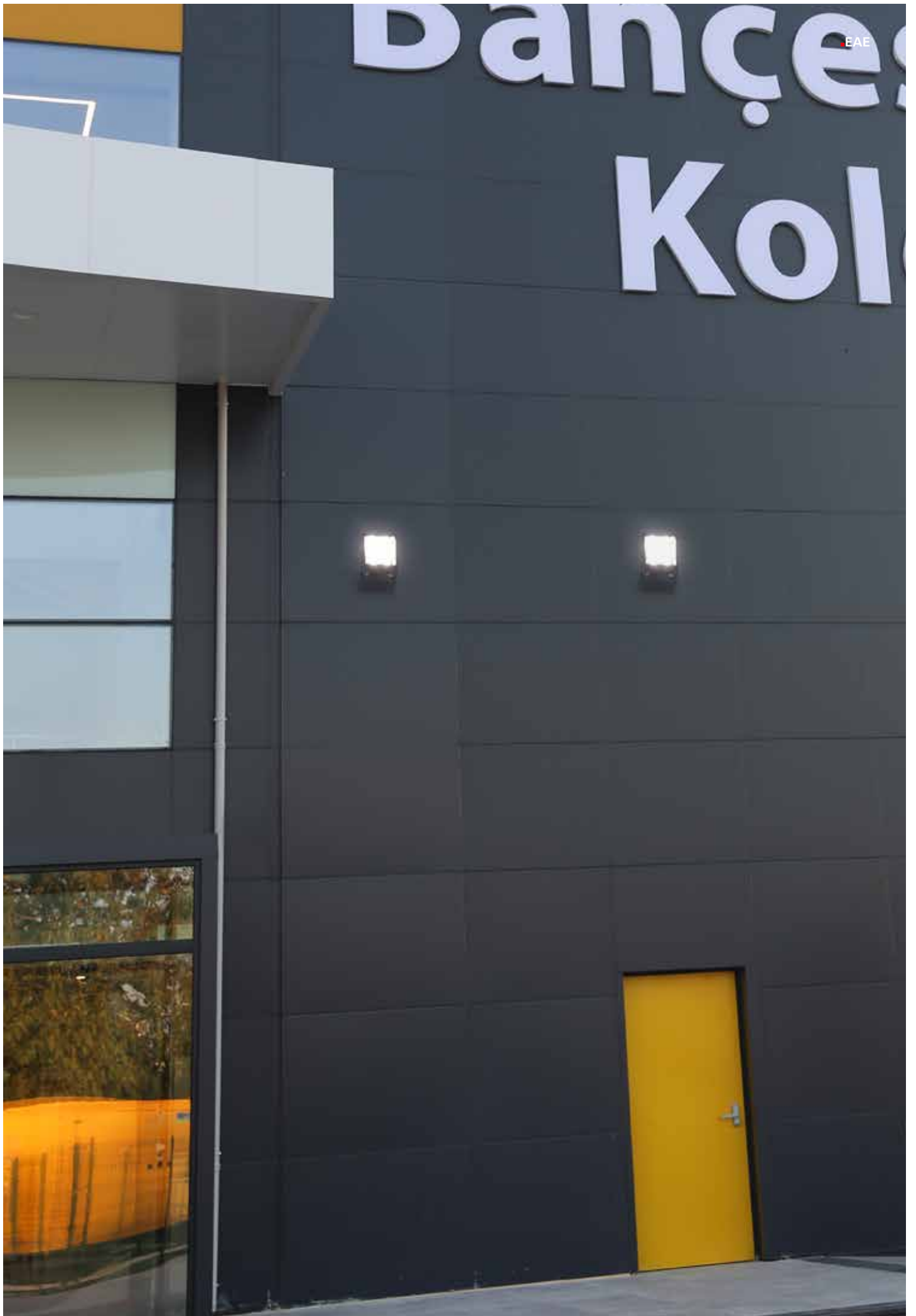
| |
|--------|
| 3,6 kg |
|--------|

Option

| | |
|---------------------|---------|
| DALI Compatibility | : Yes |
| DIMKO Compatibility | : Yes |
| Control Option | : 1-10V |

Photometric Curve

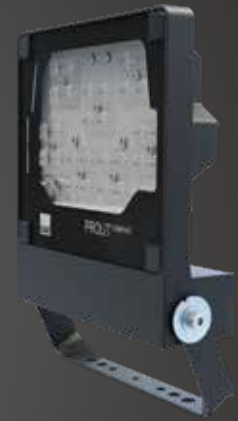




PROLIT KOMPAKT V.3

MP

PROJECTOR



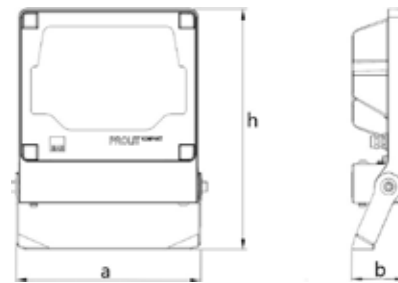
Prolit Compact, which is an efficient alternative to conventional PROJECTORS, is open space, structure with different Housing angle options. It is perfect for illuminating areas such as perimeter-security and facades. Capturing the best light output in minimal dimensions Optimized light and compact Housingsi, ease of assembly and high mechanical strength Prolit Compact; It makes the basic and ideal solution of every project. DALI, 1-10V, DIMKO control Option is available.



Technical Specifications

| | |
|---------------|--------------------------------------|
| Housing | : Aluminum injection Housing |
| Optical | : 23° / 35° / 60° / 90° / Asymmetric |
| Diffuser | : Tempered glass with serigraphy |
| Light Source | : Mid Power LED |
| Power | : 70 W / 95 W |
| Lumen | |
| (23°) | : 8047 lm / 10890 lm |
| (35°) | : 7625 lm / 10767 lm |
| (46°) | : 8372 lm / 11330 lm |
| (60°) | : 7810 lm / 11360 lm |
| (90°) | : 8128 lm / 11000 lm |
| (Asymmetric) | : 7966 lm / 10780 lm |
| Input Voltage | : 220-240V AC 50/60Hz |
| Color Temp. | : 3000K / 4000K / 5000K / 5700K |
| CRI | : > 80 / > 70 |
| IP | : IP66 |
| Colors | : ALZ90F + MW 3004 (Black) |

Technical Drawing



Dimensions (mm)

| a | b | h |
|-----|----|-----|
| 276 | 77 | 330 |

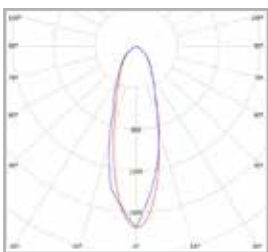
Weight (kg)

| |
|--------|
| 3,6 kg |
|--------|

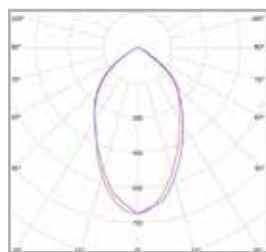
Option

| | |
|---------------------|---------|
| DALI Compatibility | : Yes |
| DIMKO Compatibility | : Yes |
| Control Option | : 1-10V |

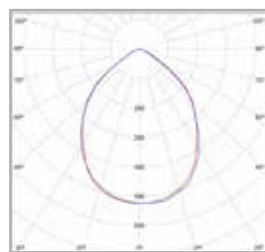
Photometric Curve



cd/klm
 — C0 - C180 — C90 - C270
 η = %100
 35°



cd/klm
 — C0 - C180 — C90 - C270
 η = %100
 60°



cd/klm
 — C0 - C180 — C90 - C270
 η = %100
 90°

PROLIT KOMPAKT V.3 NG

PROJECTOR



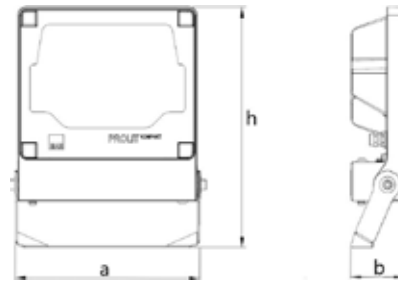
It has: High durability and long-lasting use thanks to the Aluminum Injection Housing. PROLIT KOMPAKT V.3 SHIP, which guarantees; Wide range of 16°, 27°, 35°, 52°, 60°, 90°, 98° asymmetric lens options It offers an angle of light. PROLIT KOMPAKT V.3 SHIP with silk screen tempered glass resistant to heat and impacts, While providing high lighting efficiency thanks to its Mid Power LED, it also has a low cost advantage. PROLIT KOMPAKT V.3 offered with an operating ambient temperature reaching -20°C to +50°C and easy installation. SHIP has been designed to meet the lighting needs of areas such as ships, ports & shipyards at the maximum level.



Technical Specifications

| | |
|---------------|--|
| Housing | : Aluminum injection Housing |
| Optical | : 16° / 27° / 35° / 52° / 60° / 90° / 98° / Asymmetric |
| Diffuser | : Tempered glass with serigraphy |
| Light Source | : Mid Power LED |
| Power | : 124 W |
| Lumen | |
| (16°) | : 12365 lm |
| (27°) | : 12000 lm |
| (52°) | : 12100 lm |
| (98°) | : 11800 lm |
| (AS) | : 11500 lm |
| Input Voltage | : 220-240V AC 50/60Hz |
| Color Temp. | : 2700K / 3000K / 4000K / 5000K / 5700K / 6500K |
| CRI | : > 80 / > 70 |
| IP | : IP67 |
| Colors | ALZ90F + MW 3004 (Black) |

Technical Drawing



Dimensions (mm)

| a | b | h |
|-----|----|-----|
| 276 | 77 | 330 |

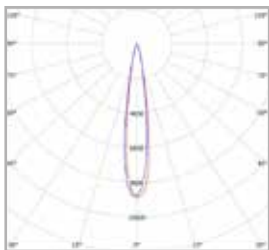
Weight (kg)

3,6 kg

Option

| | |
|---------------------|---------|
| DALI Compatibility | : Yes |
| DIMKO Compatibility | : Yes |
| Control Option | : 1-10V |

Photometric Curve



cd/klm C0 - C180 C90 - C270 $\eta = \%100$

16°

PROLIT KOMPAKT V.3

SHIP

PROJECTOR



It has: High durability and long-lasting use thanks to the Aluminum Injection Housing. PROLIT KOMPAKT V.3 SHIP, which guarantees; Wide range of 16°, 27°, 35°, 52°, 60°, 90°, 98° asymmetric lens options It offers an angle of light. PROLIT KOMPAKT V.3 SHIP with silk screen tempered glass resistant to heat and impacts, While providing high lighting efficiency thanks to its Mid Power LED, it also has a low cost advantage. provides. PROLIT KOMPAKT V.3 offered with an operating ambient temperature reaching -20°C to +50°C and easy installation. SHIP has been designed to meet the lighting needs of areas such as ships, ports & shipyards at the maximum level.



Technical Specifications

| | |
|---------------|--|
| Housing | : Aluminum injection Housing |
| Optical | : 16° / 27° / 35° / 52° / 60° / 90° / 98° / Asymmetric |
| Diffuser | : Serigrafli Tempered glass |
| Light Source | : Mid Power LED |
| Power | : 70 W (35°) / 75 W (16°) / 95 W (35°) / 96 W (16°) |
| Lumen | : 7625 lm / 8034 lm / 10767 lm / 11206 lm |
| Input Voltage | : 220-240V AC 50/60Hz |
| Color Temp. | : 2700K / 3000K / 4000K / 5000K / 5700K / 6500K |
| CRI | : > 80 / > 70 |
| IP | : IP67 |
| Colors | : ALZ90F + MW 3004 (Black) |

Technical Drawing



Dimensions (mm)

| a | b | h |
|-----|----|-----|
| 276 | 77 | 330 |

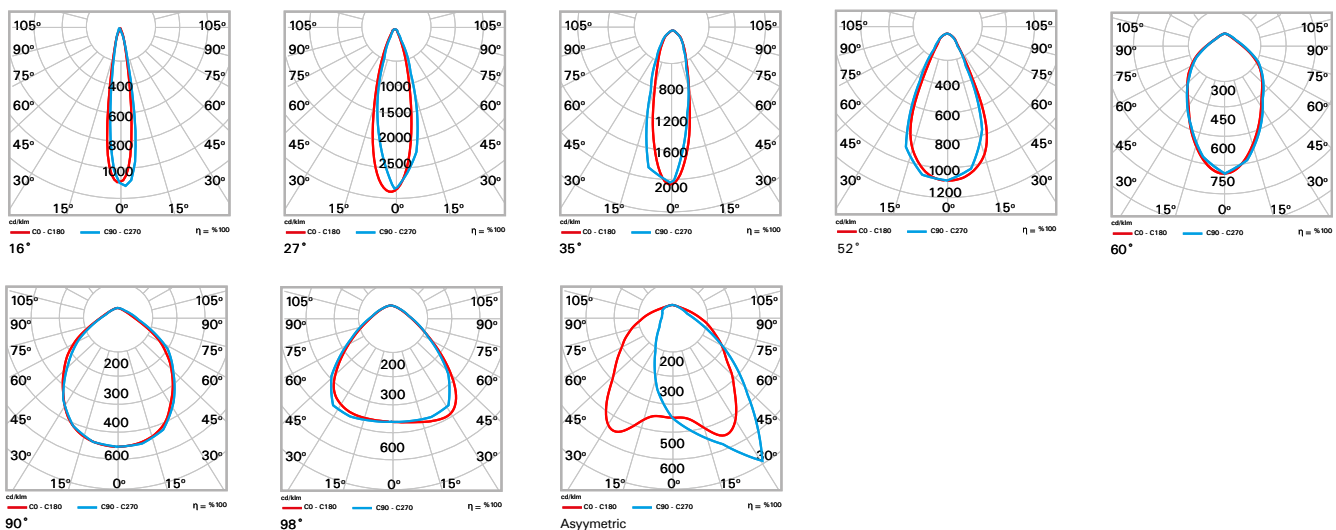
Weight (kg)

| |
|--------|
| 3,6 kg |
|--------|

Option

| | |
|---------------------|---------|
| DALI Compatibility | : Yes |
| DIMKO Compatibility | : Yes |
| Control Option | : 1-10V |

Photometric Curve



Assembly Detail

All fittings are 316 inox A4 quality and grommet 321 B+ coated.
 All sheet metal parts are painted 316 stainless + alz90 primer + SV306G
 Housing and the frame is catophoresis coating + alz90 primer + SV306G painted.
 Gland 316 quality inox
 Ventil 316 kalite inox



PROLIT-M PR V.2



PROJECTOR



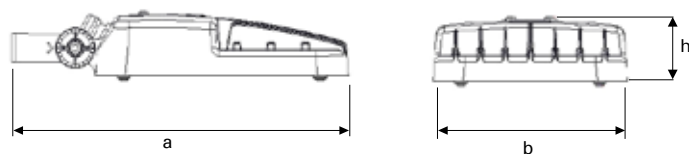
PROLIT-M PR V.2 offers a balanced combination of performance and economy with its compact housing reduced to minimal dimensions. It is ideal for use in required outdoor conditions.



Technical Specifications

- Housing : Aluminum injection Housing
- Optical : 65° / 110° / Asymmetric lens / Wide angle lens
- Diffuser : Tempered clear glass
- Light Source : Power LED
- Power
- Wide angle : 30 W
- 65° : 43 W / 60 W
- 110° : 43 W / 60 W
- Asymmetric : 43 W / 60 W
- Lumen
- Wide angle : 3810 lm
- 65° : 5639 lm / 7951 lm
- 110° : 5330 lm / 7026 lm
- Asymmetric : 4854 lm / 6592 lm
- Input Voltage : 220-240V AC 50/60Hz
- Color Temp. : 3000K / 4000K / 5000K / 6500K
- CRI : > 70
- IP : IP66
- Colors : MW 3004 (Black)

Technical Drawing



Dimensions (mm)

| a | b | h |
|-----|-----|----|
| 342 | 191 | 68 |

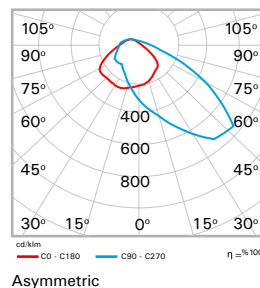
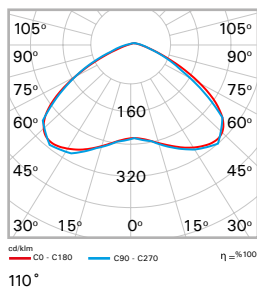
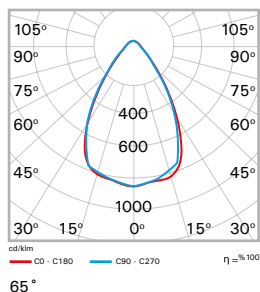
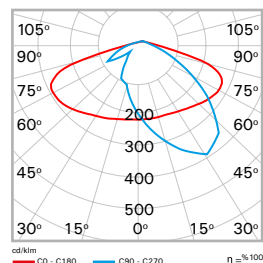
Weight (kg)

3,6 kg

Option

DALI Compatibility : Yes

Photometric Curve



GPRONA PLUS

PROJECTOR



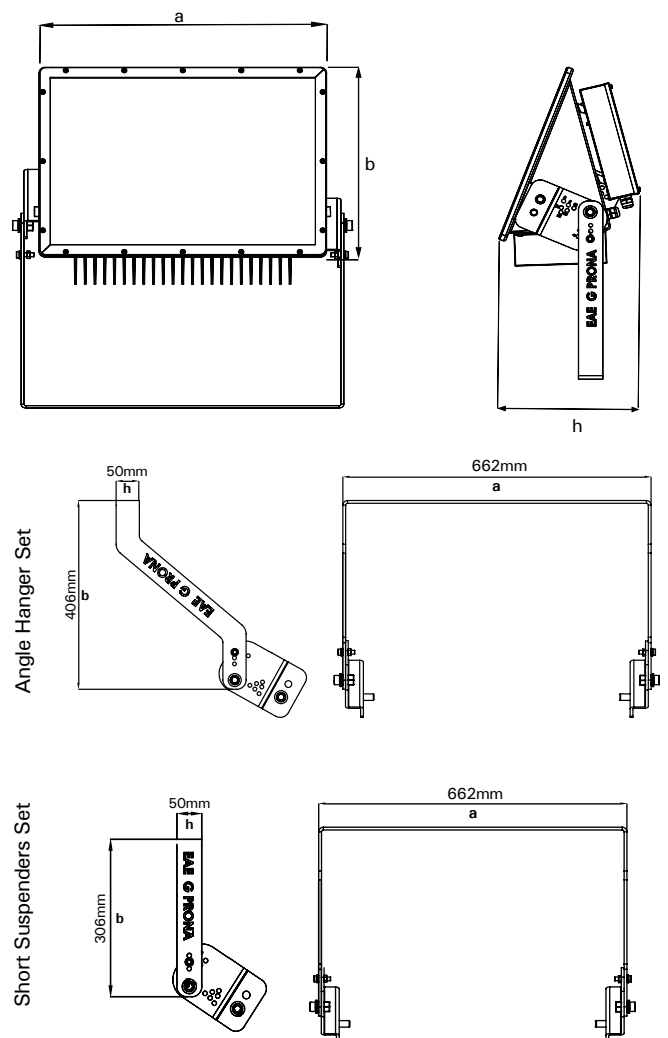
Standing out with its high efficiency value, Gprona Plus is suitable for project areas that require mechanical strength. Offering the ideal solution for all outdoor PROJECTOR applications, the product meets the lighting needs of the environment at the maximum level with its affordable cost.



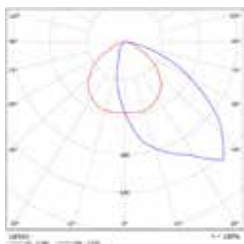
Technical Specifications

| | |
|---------------|--|
| Housing | : Aluminum injection Housing |
| Optical | : Miro Silver Reflector |
| Diffuser | : Tempered glass |
| Light Source | : Mid Power LED |
| Power | : 558W / 669 W |
| Lumen | : 87538lm, 102604lm |
| Input Voltage | : 220-240V AC 50/60Hz |
| Color Temp. | : 2700K / 3000K / 4000K / 5000K / 5700K / 6500 |
| CRI | : > 80 |
| IP | : IP66 |
| Colors | : SW 306G |

Technical Drawing



Photometric Curve



Option

Electronic Control : Dali / 1-10 V DIMKO / RF

Dimensions (mm)

| a | b | h |
|-----|-----|-----|
| 698 | 492 | 297 |



GPRONA

PROJECTOR



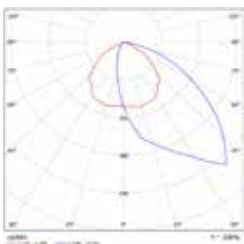
GPRONA is specially designed to illuminate ports, large areas and an industry. Thanks to its asymmetric light distribution and high Lumen output, it saves more energy than ever before, especially for LED retrofit applications.



Technical Specifications

| | |
|---------------|---|
| Housing | : Aluminum injection Housing |
| Optical | : Asymmetric reflector |
| Diffuser | : Tempered transparent glass |
| Light Source | : Mid Power LED |
| Power | : 136W / 159 W / 290 W / 364 W / 407W / 463 W |
| Lumen | : 3000, 4000lm, 5000lm, 5700lm, 6000lm |
| Input Voltage | : 220-240V AC 50/60Hz |
| Color Temp. | : 4000K / 5000K / 5700K |
| CRI | : > 80 |
| IP | : IP66 |
| Colors | : SW 306G |

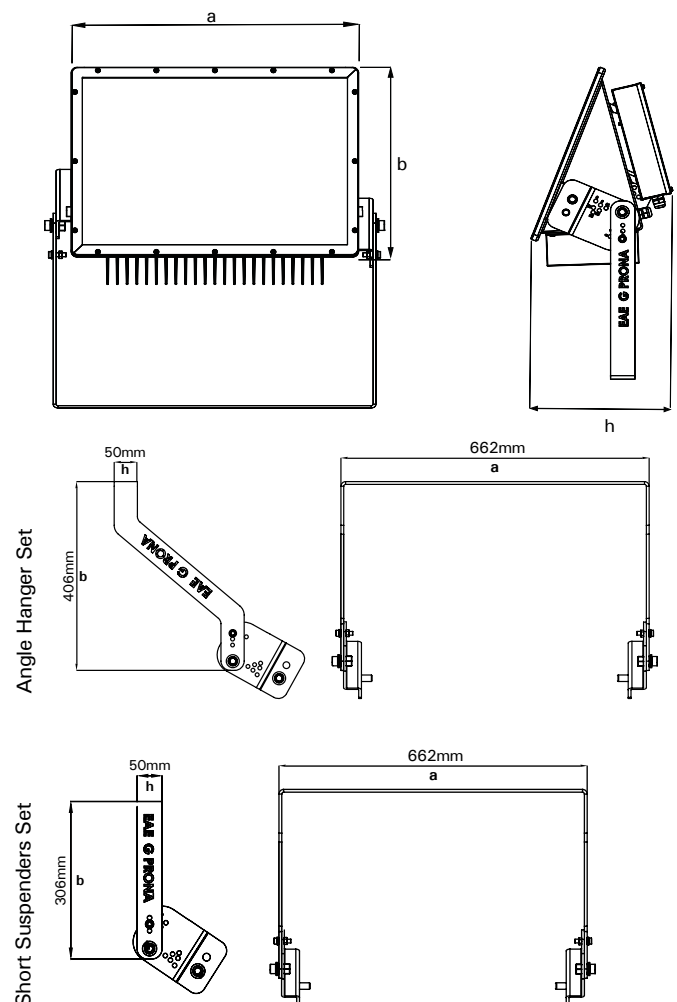
Photometric Curve



Option

Electronic Control : Dali / 1-10 V DIMKO / RF

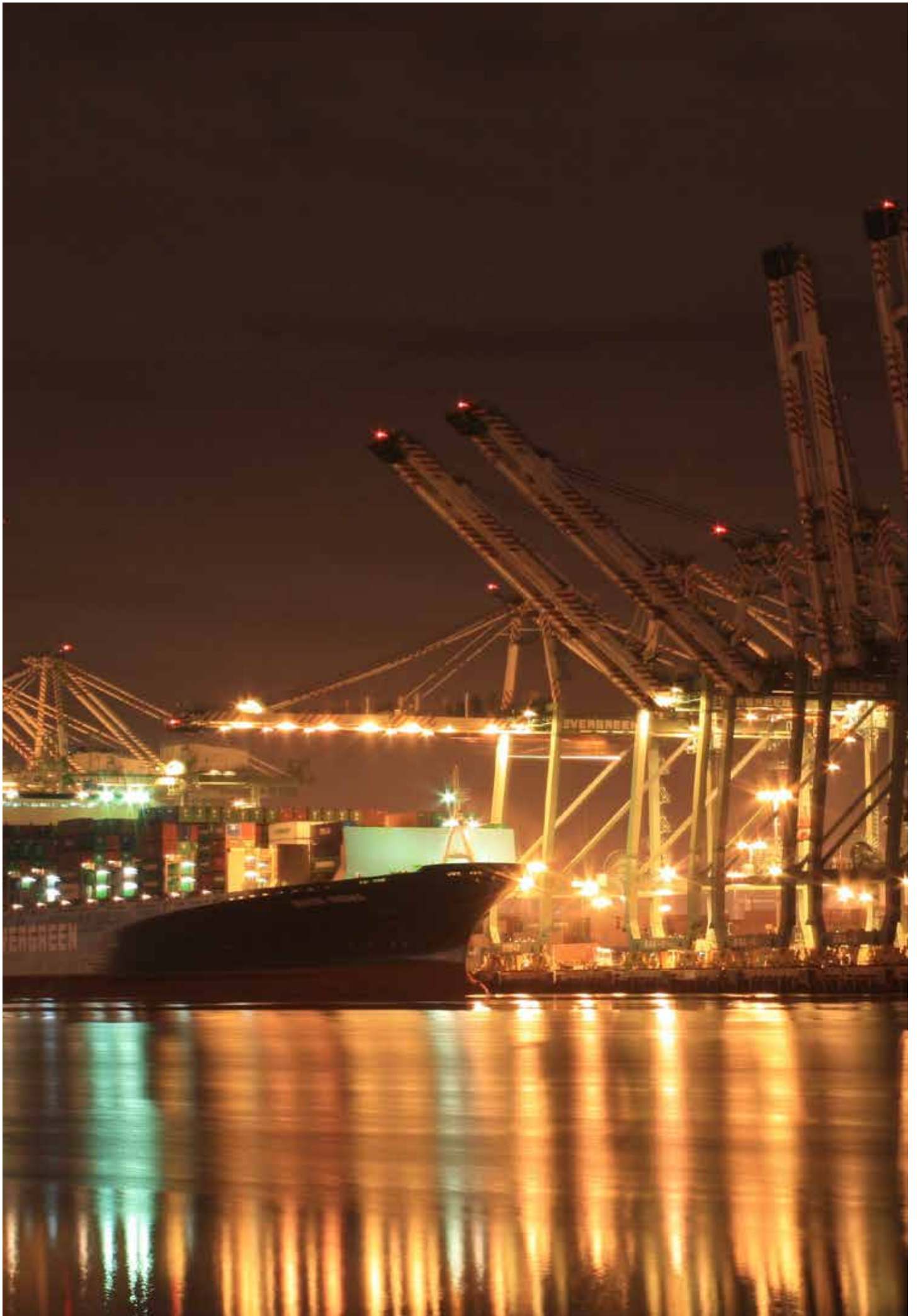
Technical Drawing



Dimensions (mm)

| a | b | h |
|-----|-----|-----|
| 589 | 410 | 296 |





GPRONA MINI

PROJECTOR



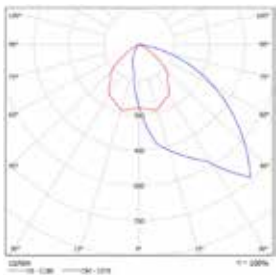
With its high efficiency value, Gprona Mini is perfect for cost-effective 1:1 LED replacement projects. Housing with high mechanical strength and optimized dimensions for efficient light output provides the ideal solution for all outdoor PROJECTOR applications. It offers functional use with its application-specific suspension set feet. DALI and RF control Option are available.



Technical Specifications

| | |
|---------------|---------------------------------|
| Housing | : Aluminum injection housing |
| Optical | : Asymmetric reflector |
| Diffuser | : Tempered transparent glass |
| Light Source | : Mid Power LED |
| Power | : 135 W / 155 W / 185 W |
| Lumen | : 21841lm / 25449lm / 29438lm |
| Input Voltage | : 220-240V AC 50/60Hz |
| Color Temp. | : 4000K / 5000K / 5700K / 6500K |
| CRI | : > 80 |
| IP | : IP66 |
| Colors | : SW 306G |

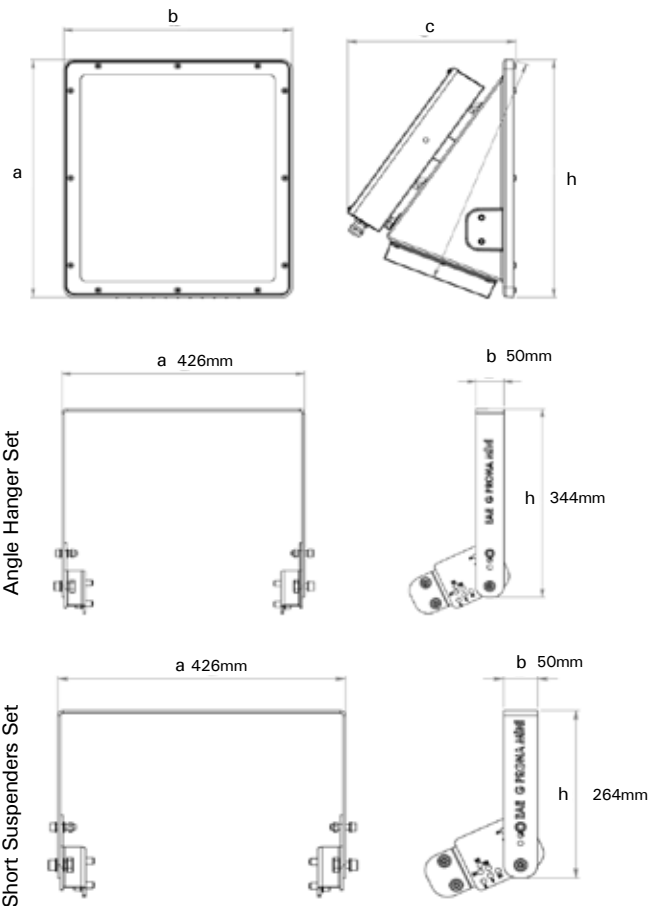
Photometric Curve



Option

Electronic Control : Dali / RF

Technical Drawing



Dimensions (mm)

| a | b | c | h |
|-----|-----|-----|-----|
| 420 | 375 | 276 | 420 |



GPRONA NG

PROJECTOR



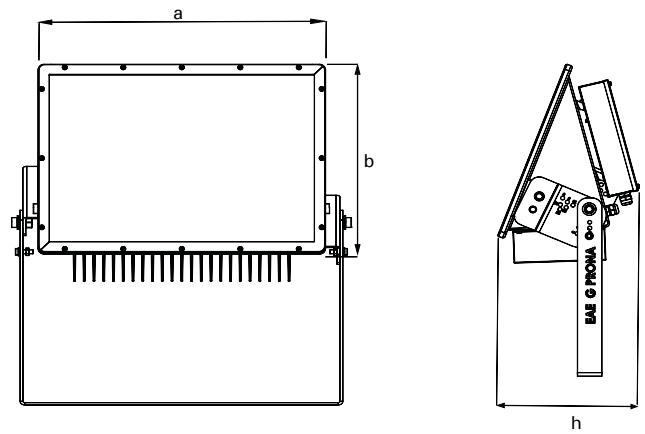
GPRONA is specially designed to illuminate ports, large areas and an industry. Thanks to its asymmetric light distribution and high Lumen output, it saves more energy than ever before, especially for LED retrofit applications.



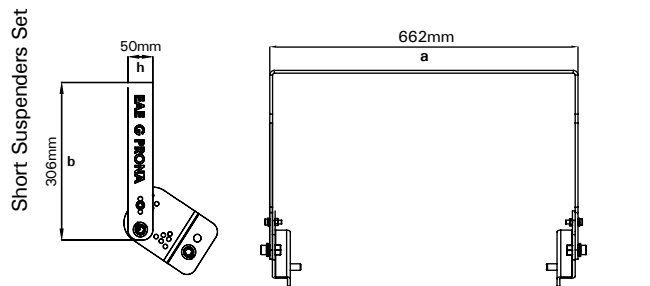
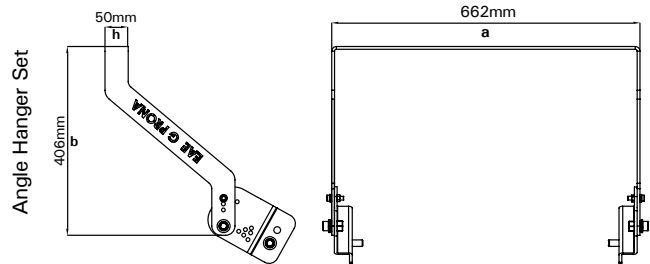
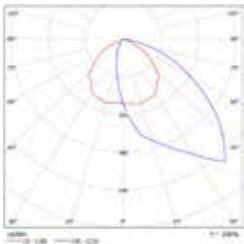
Technical Specifications

| | |
|---------------|------------------------------|
| Housing | : Aluminum injection Housing |
| Optical | : Asymmetric reflector |
| Diffuser | : Tempered transparent glass |
| Light Source | : Mid Power LED |
| Power | : 454 W |
| Lumen | : 72075lm |
| Input Voltage | : 220-240V AC 50/60Hz |
| Color Temp. | : 4000K / 5000K / 5700K |
| CRI | : > 70 |
| IP | : IP66 |
| Colors | : SW 306G |

Technical Drawing



Photometric Curve

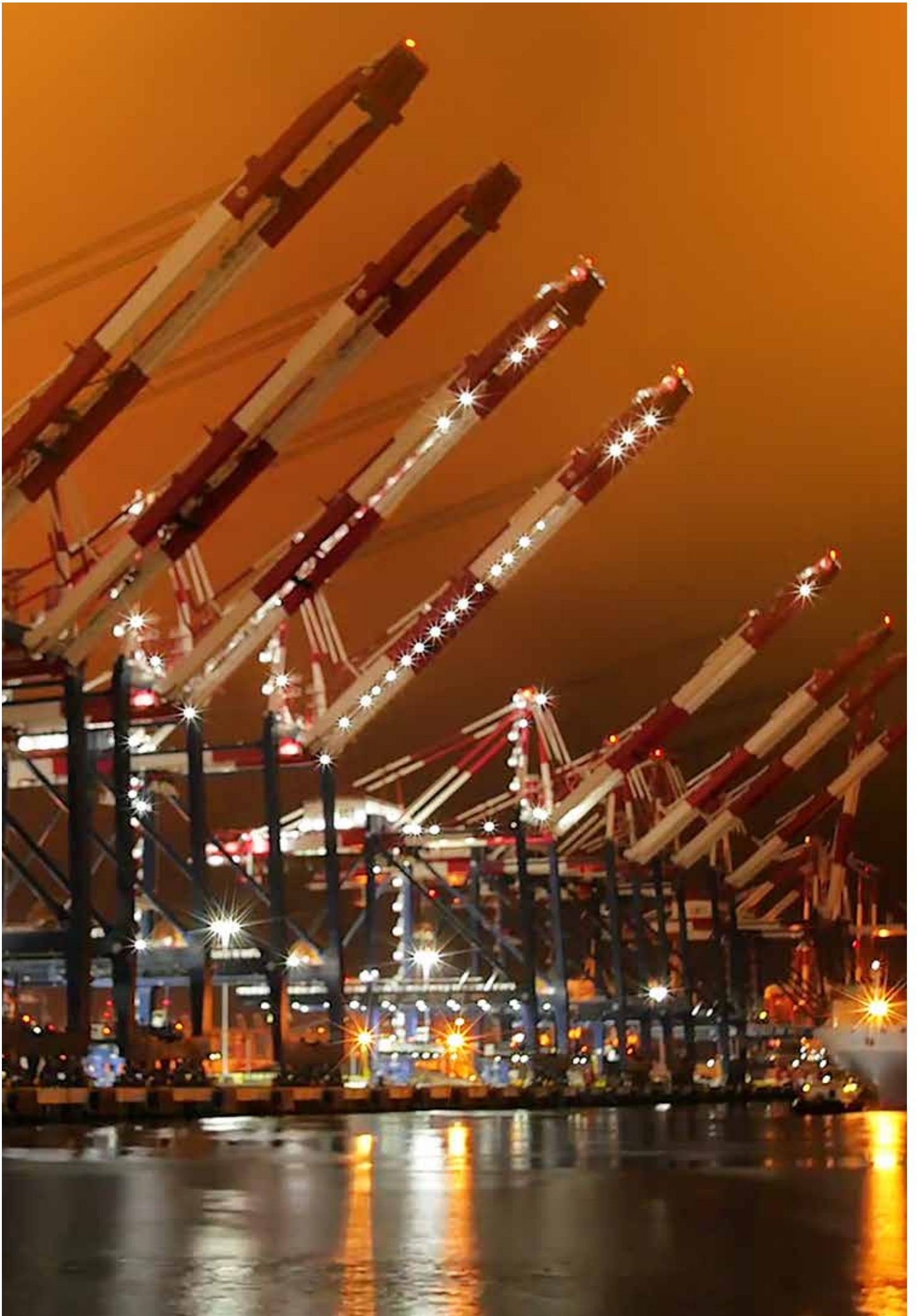


Option

Electronic Control : Dali / 1-10 V DIMKO / RF

Dimensions (mm)

| a | b | h |
|-----|-----|-----|
| 589 | 410 | 296 |



SPRONA PLUS

PROJECTOR



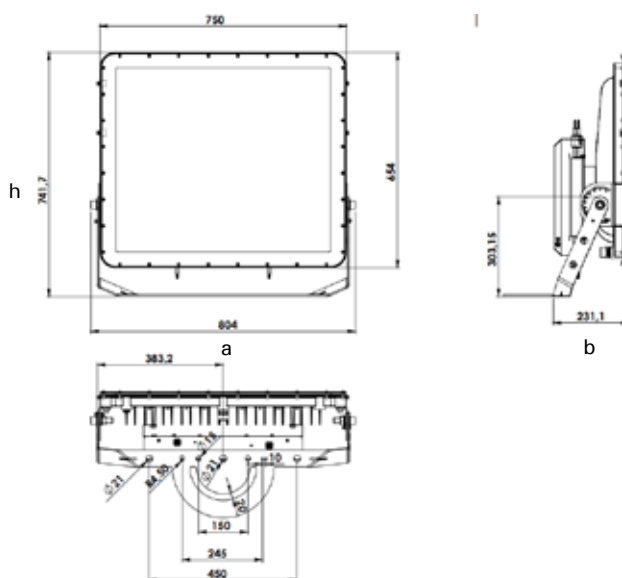
With its high mechanical strength Housing, Sprona Plus can be used as single, double and triple modular with optimized dimensions for efficient light output. The product offers the ideal solution for all outdoor PROJECTOR applications. Designed for port and industrial area lighting, Sprona Plus is very economical thanks to its balanced light distribution and high Lumen output.



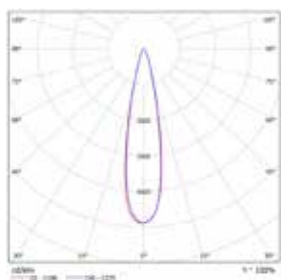
Technical Specifications

| | |
|---------------|---------------------------------|
| Housing | : Aluminum injection Housing |
| Optical | : Asymmetric Lens |
| Diffuser | : Tempered glass |
| Light Source | : Power LED |
| Power | : 851 W / 1024 W |
| Lumen | : 128778 lm / 149147 lm |
| Input Voltage | : 220-240V AC 50/60Hz |
| Color Temp. | : 4000K / 5000K / 5700K / 6500K |
| CRI | : > 80 |
| IP | : IP66 |
| Colors | : SW 306G |

Technical Drawing



Photometric Curve



Option

Electronic Control : Dali / RF / DIMKO

Dimensions (mm)

| a | b | h |
|-----|-----|-----|
| 805 | 228 | 768 |



SPRONA



PROJECTOR



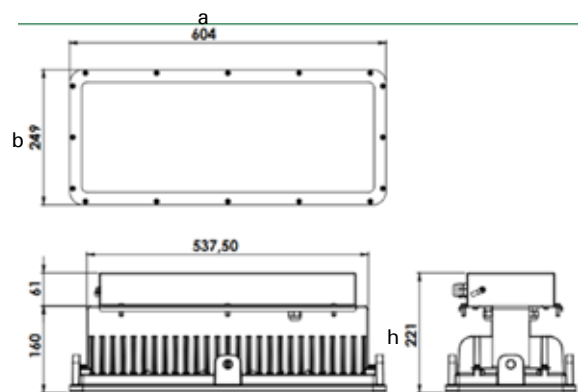
Sprona, aluminum Housing with high mechanical strength, optimized in dimensions for efficient light output, Sprona, which can be used as single, double and triple modular, offers the ideal solution for all outdoor PROJECTOR applications. It has the possibility of functional use with special suspension set options especially for high mast lighting applications such as port and wide angle area.



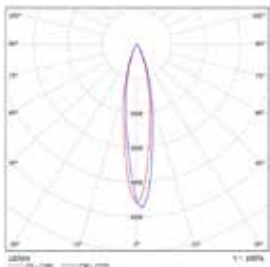
Technical Specifications

| | |
|---------------|---------------------------------|
| Housing | : Aluminum injection Housing |
| Optical | : Lens |
| Diffuser | : Tempered glass |
| Light Source | : Power LED |
| Power | : 348W |
| Lumen | : 50313lm |
| Input Voltage | : 220-240V AC 50/60Hz |
| Color Temp. | : 3000K / 4000K / 5000K / 5700K |
| CRI | : > 70 |
| IP | : IP66 |
| Colors | : SW 306G |

Technical Drawing



Photometric Curve



Option

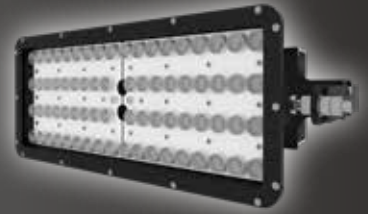
Electronic Control : Dali / 1-10 V DIMKO

Dimensions (mm)

| a | b | h |
|-----|-----|-----|
| 605 | 250 | 221 |



SPRONA CRN



PROJECTOR



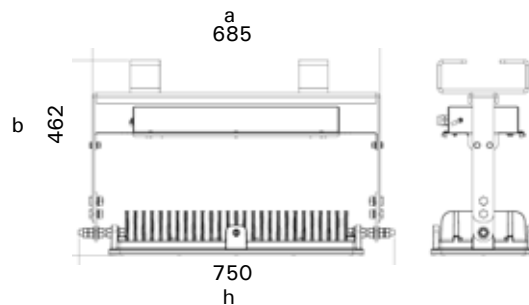
Sprona, aluminum Housing with high mechanical strength, optimized in dimensions for efficient light output, Sprona, which can be used as single, double and triple modular, offers the ideal solution for all outdoor PROJECTOR applications. It has the possibility of functional use with special suspension set options especially for high mast lighting applications such as port and wide angle area.



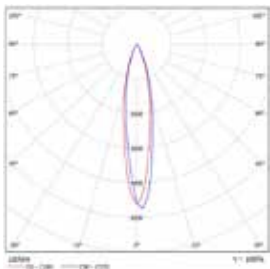
Technical Specifications

| | |
|---------------|---------------------------------|
| Housing | : Aluminum injection Housing |
| Optical | : Lens |
| Diffuser | : Tempered glass |
| Light Source | : Power LED |
| Power | : 348W |
| Lumen | : 49800lm / 50300lm / 50600lm |
| Input Voltage | : 220-240V AC 50/60Hz |
| Color Temp. | : 3000K / 4000K / 5000K / 5700K |
| CRI | : > 80 |
| IP | : IP66 |
| Colors | : SW 306G |

Technical Drawing



Photometric Curve



Option

Electronic Control : Dali / 1-10 V DIMKO

Dimensions (mm)

| a | b | h |
|-----|-----|-----|
| 605 | 250 | 221 |



SRound Crane

-35°C +70°C



YÜKSEK TAVAN LED ARMATÜRÜ

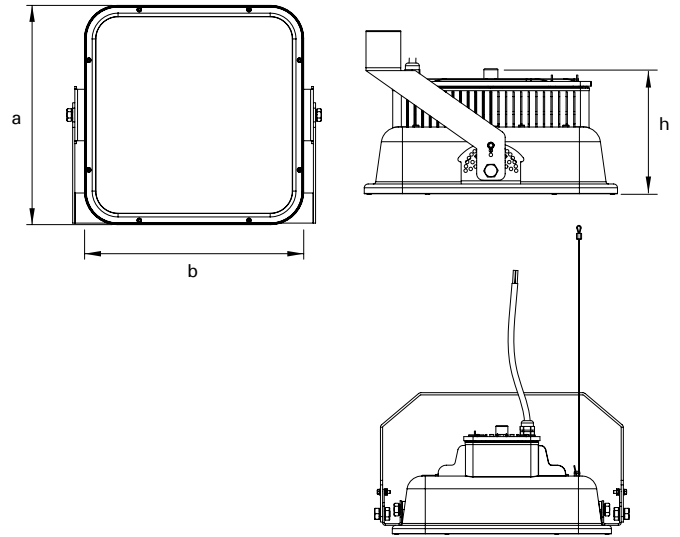
SRound CRANE is a professional designed specifically for crane lighting in indoor and outdoor industrial areas. It is a lighting solution. In the illumination of the working area under the crane, the quality of vision of the operator and employees It helps to increase job security.



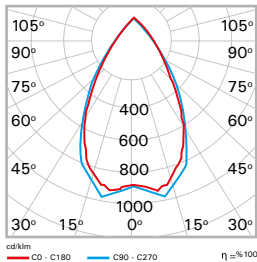
Technical Specifications

| | |
|---------------|------------------------------|
| Housing | : Aluminum injection Housing |
| Optical | : Reflector |
| Diffuser | : Tempered transparent glass |
| Light Source | : Mid Power LED |
| Power | : 71 W / 137 W / 160 W |
| Lumen | : 11415lm, 21433lm, 24310lm |
| Input Voltage | : 220-240V AC 50/60Hz |
| Color Temp. | : 4000K / 5700K / 6500K |
| CRI | : > 80 |
| IP | : IP65 / IP66 |
| Colors | : SW 306G |

Technical Drawing



Photometric Curve



Dimensions (mm)

| a | b | h |
|-----|-----|-----|
| 400 | 400 | 190 |

Weight (kg)

3,6 kg

Option

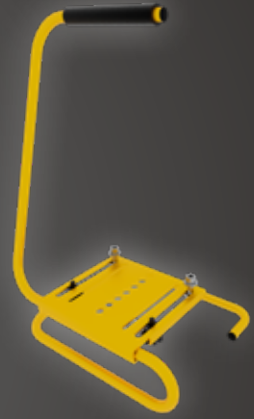
| | |
|--------------------|-----------------------------|
| Emergency Kit | : Yes (1-3 hours) |
| Electronic Control | : DALI / Traceable DALI Kit |
| Angle Options | : 65° / 110° / Asymmetric |





PRK V3 PRTB

AYAK TAKIMI

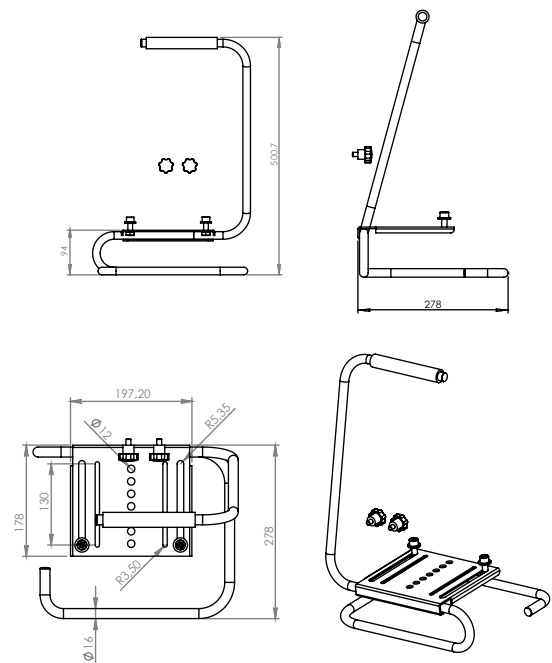


PRK V3 PRTB AYAK TK, which can be used portable in different locations in areas where electrical connection is far away, especially in ships and shipyards, provides support for PROJECTORs in all project environments where mobile lighting is needed.

Technical Specifications

| | |
|---------|---|
| Housing | : Aluminum injection Housing |
| Usage | : Surface mounted, Surface mounted, Floor, Mast |
| Colors | : SW 306G |

Technical Drawing

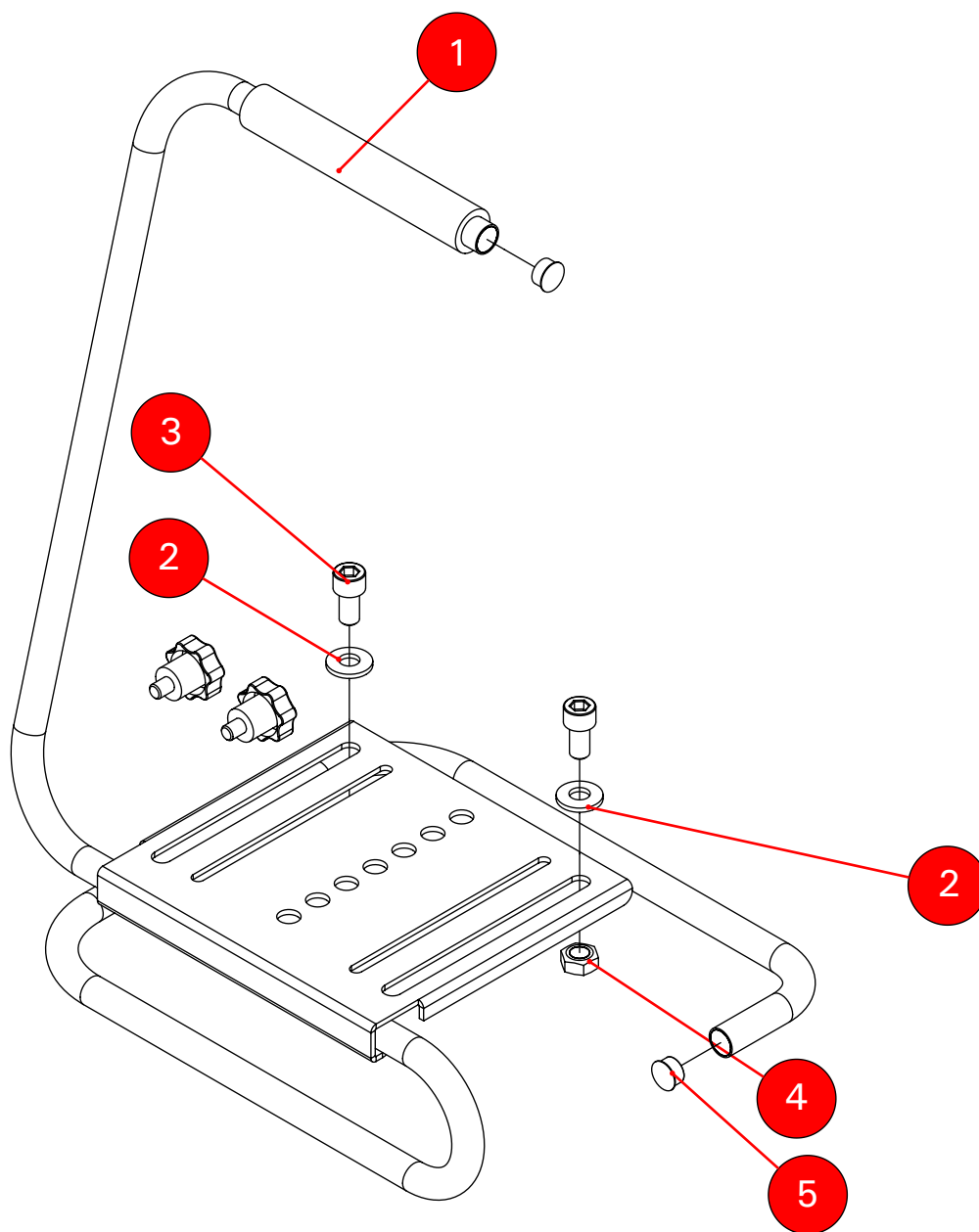


Dimensions (mm)

| a | h |
|-----|-----|
| 278 | 500 |

It can be used in all Prolit Compact models.





| Item No | Part Number | Description | QTY |
|---------|-------------|------------------------|-----|
| 1 | 2094876 | PRK V3 PRTB FOOT SET | 1 |
| 2 | 1018817 | M10 DISH WASHER INOX | 2 |
| 3 | 1006907 | M10X20 IMBUS BOLT INOX | 2 |
| 4 | 1011109 | M10 NUT | 2 |
| 5 | 1031454 | BAKLIT HANDLE | 2 |
| 6 | 1031455 | M8X15 BAKLIT HANDLE | 2 |
| 7 | 1039941 | PRK V3 PRTB CARRY FOAM | 1 |

PROJECTORS

Strong casing high efficiency

EAE LIGHTING-Brochure **PROJECTORS** - ENG - Update Date: 24.05.2022
EAE. is provided with the right to perform changes deemed necessary without notifying in advance.
Please contact us for further information about products and details partaking in catalogue.



EAE LIGHTING Inc.
Ikitelli Organize Sanayi Bolgesi
Eski Turgut Ozal Caddesi No:20
Basaksehir / ISTANBUL - TURKEY
Tel : +90 212 413 21 00 (pbx)
Fax : +90 212 549 37 90
www.eaelighting.com



engineering the light