



# REVOLUX HE 60°

Surface Mounted 713 W LED High Bay Luminaire

Order Code : 3179819  
 Product Code : RVX 071U 40TF00 60 12K3 HE



## Product Data

### Standard Features

Housing	: Aluminium profile housing
Diffuser	: Tempered glass with security film
Optic	: 60° Lens
IP Grade	: IP66
Installation	: Surface mounted
Light Source	: Mid Power LED
Electronic Control	: On/Off

### Optical & Electrical Features

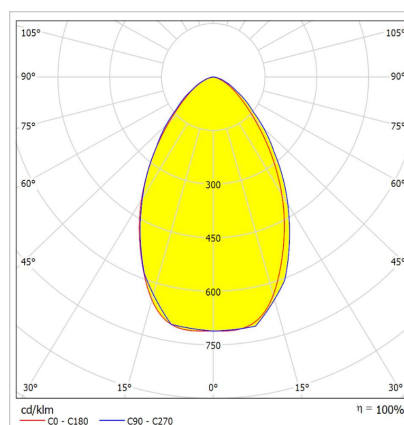
Power Consumption	: 70.9 W
Final Luminous Flux	: 12349.4 lm
Efficacy	: 173.9 lm/W
Input Voltage	: 220-240 V
Frequency	: 50-60 Hz
Power Factor	: > 0,9
Surge Transient Protection	: 1 kV
Drive Current	: 375 mA
Correlated Color Temperature	: 4000K
Color Rendering Index	: >80
Photobiological Risk Group	: RG1

\* There is ± 10% Tolerance in Technical Values.

### Other Features & Conditions

Operating Temperature Range	: -20 °C/+45 °C
Operating Temperature Range With Emergency Kit	: +5 °C/+35 °C
Impact Resistance	: IK0
Led Life Time - L70	: > 102.000 hours @Ta= 45 °C

## Photometric Curve



### Optional Features

Correlated Color Temperatures	: 3000K, 5700K, 6500K
Emergency Kit Options	: 1, 3 hours
DALI Option	: Yes

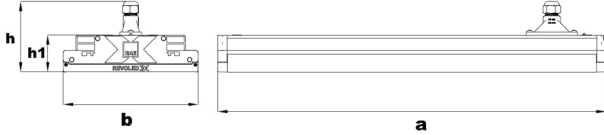


# REVOLED X HE 60°

Surface Mounted 71 W LED High Bay Luminaire

3179819 RVX 071U 40TF00 60 12K3 HE

## Standard Model & ECK



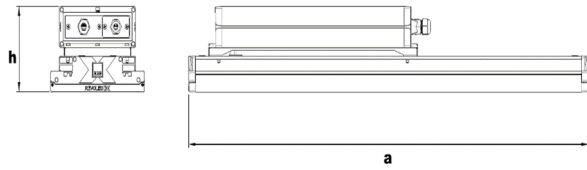
Dimension (mm)	a	b	h	h1
Standard	890	209	109	57
DALI CG ( Double Entry )	890	209	109	57
With Emergency Kit (1, 3 hrs.)	1030	209	109	57
ECK Box Model (1, 3 hrs.)	890	209	135	57

\* ECK: Emergency Kit

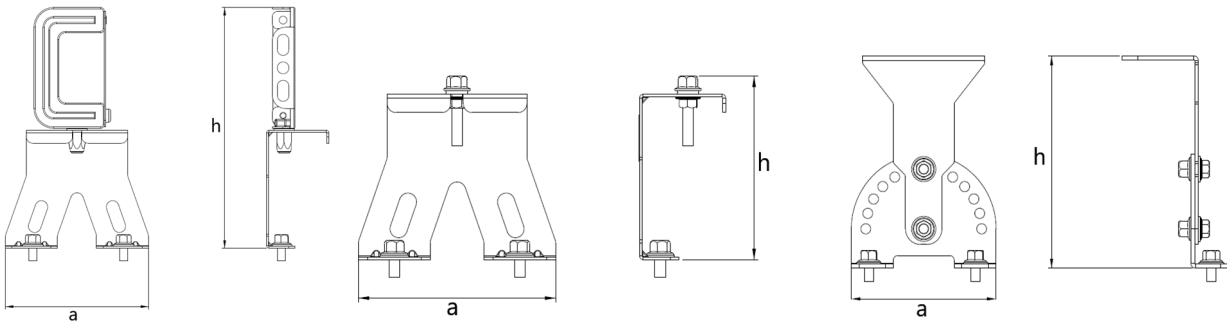
## Weight (kg)

Standard	6.7
DALI CG	6.7
With Emergency Kit (1, 3 hrs.)	7.2
ECK Box Model (1, 3 hrs.)	9.5

## Emergency Lighting Kit Box Model



## Suspension Set



### Busbar Hanger Set

Product Code : 3179883

a	h	Weight (gr)
110mm	183mm	312

### Cable Tray and Wall Hanger Set

Product Code : 3179885

a	h	Weight (gr)
110mm	90mm	191

### Wall-Mounted Hanger Set

With 10° Angular Adjustment Steps

Product Code : 3179886

a	h	Weight (gr)
95mm	135mm	-

• EAE, reserves the right to make changes without prior notice.



EAE Aydınlatma A.Ş.

İkitelli Organize Sanayi Bölgesi Eski Turgut Özal Caddesi No:20 Başakşehir / İSTANBUL-TURKEY Phone: +90 212 413 21 00 (pbx) Fax: +90 212 549 37 90

www.eaeaydinlatma.com.tr

Revision date: 09.03.2021